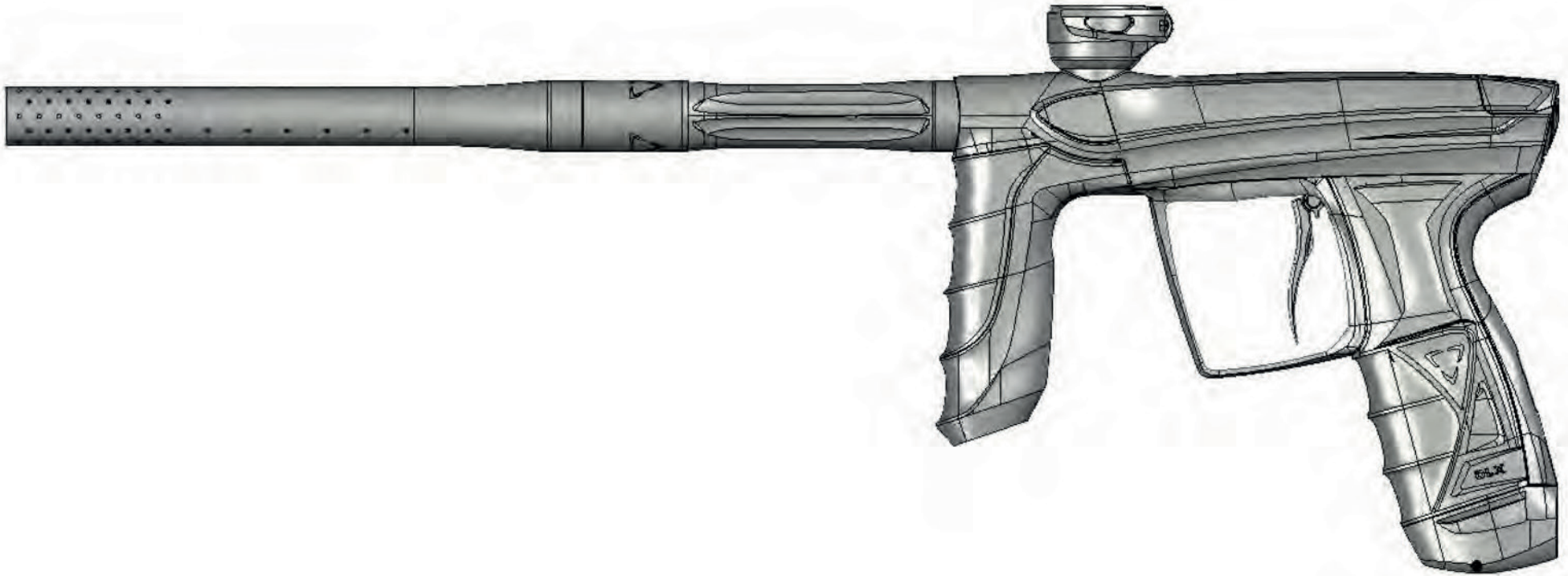


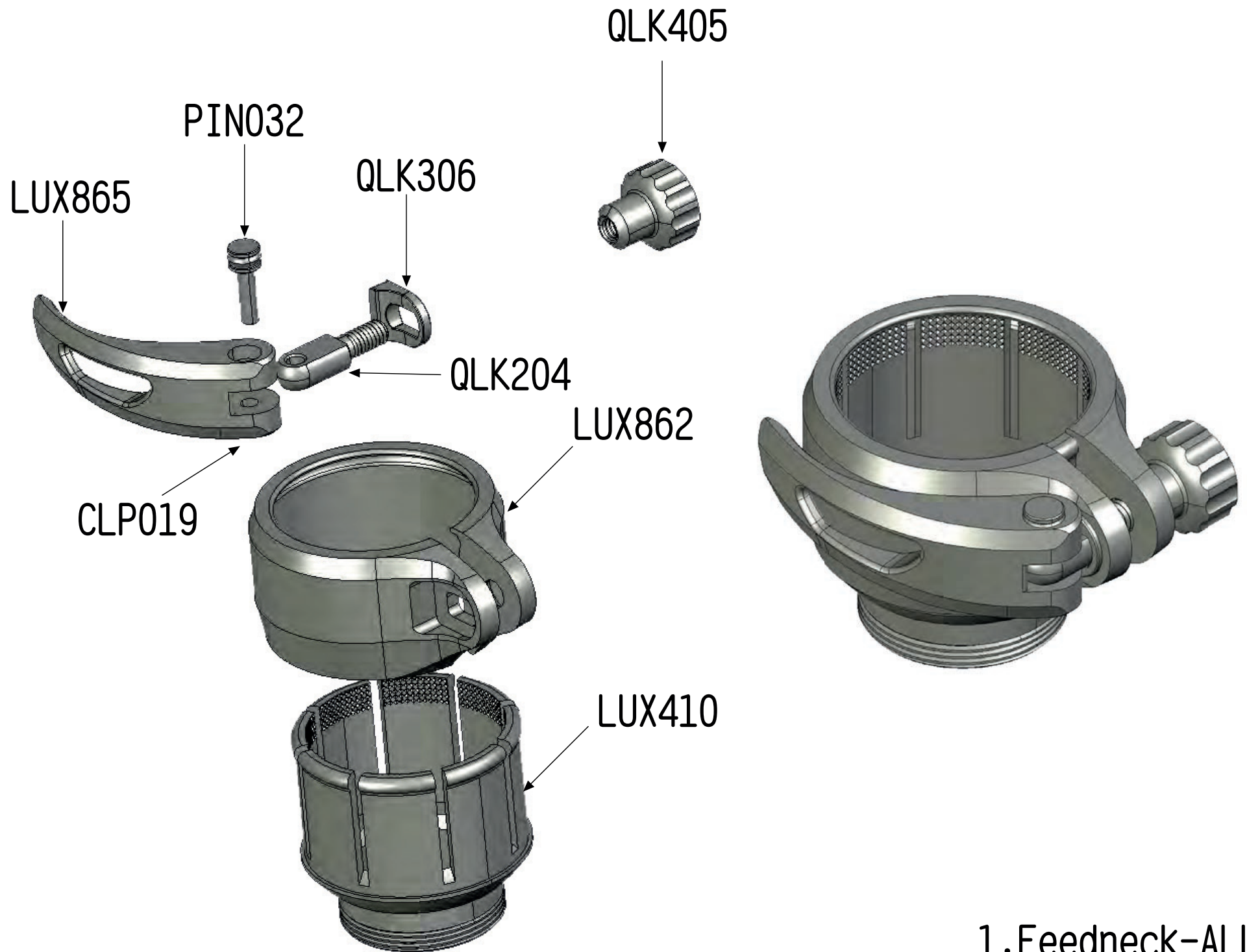


**LUXE**<sup>®</sup>  

---

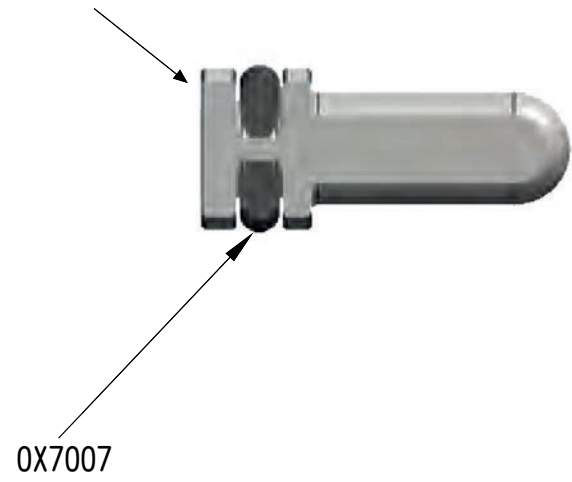
**AIRE**





1.Feedneck-ALL

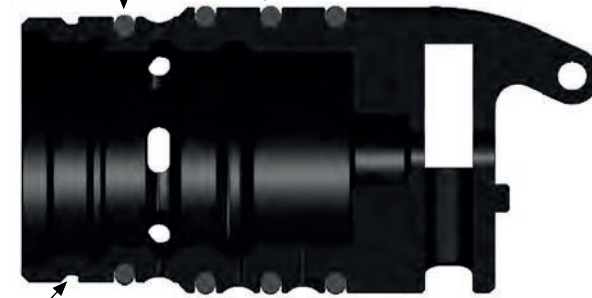
COR826.2



OX7019

OX7020

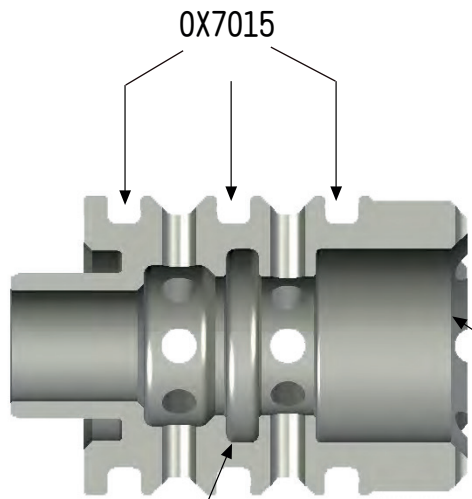
COR826.1



OX7015

LUX864

OX7011

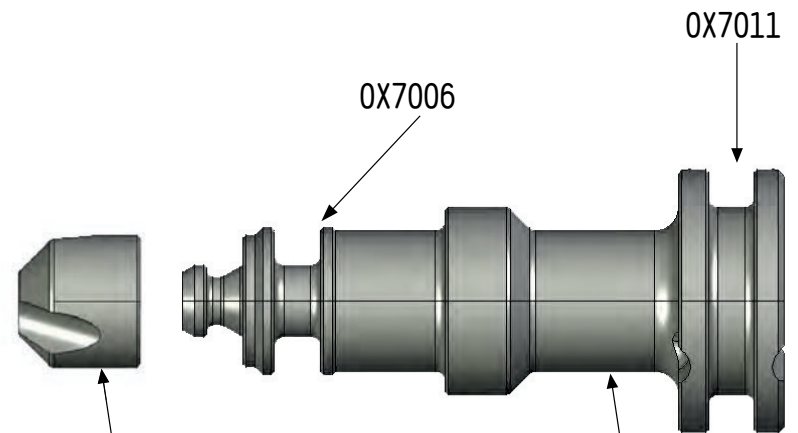


OX7006

OX7011

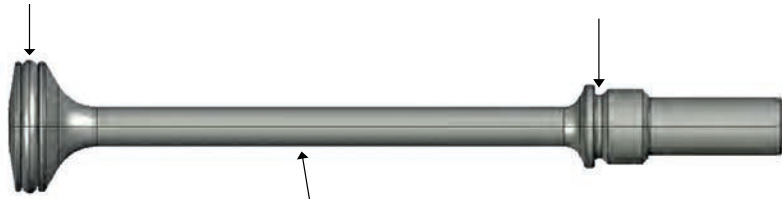
LUX867

LUX860



OX7013

OB7M21

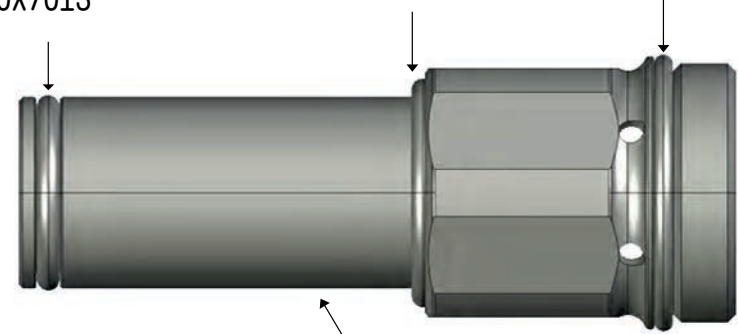


LUX866

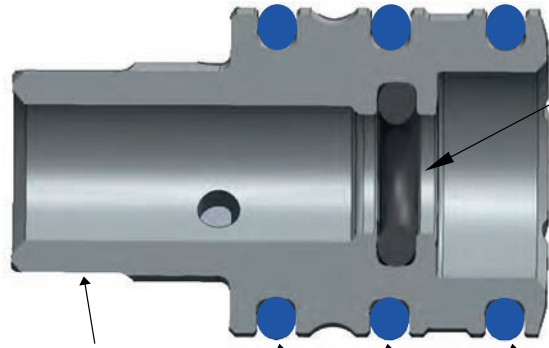
OX7013

OX9015

OX7015



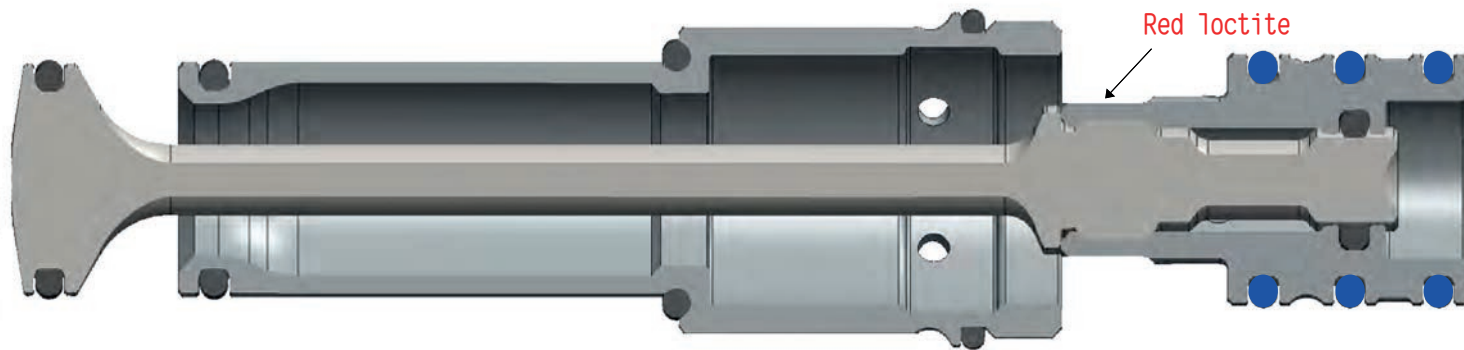
LUX802



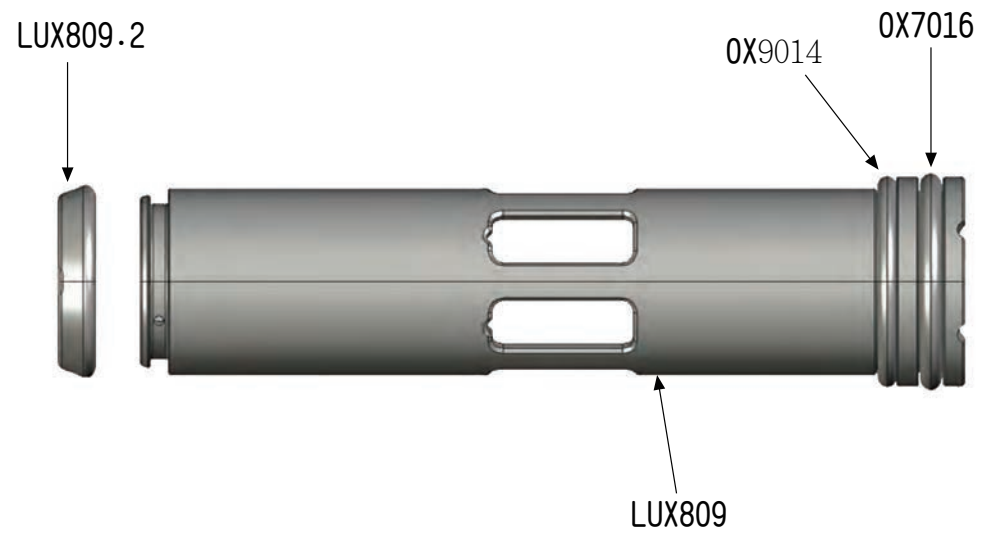
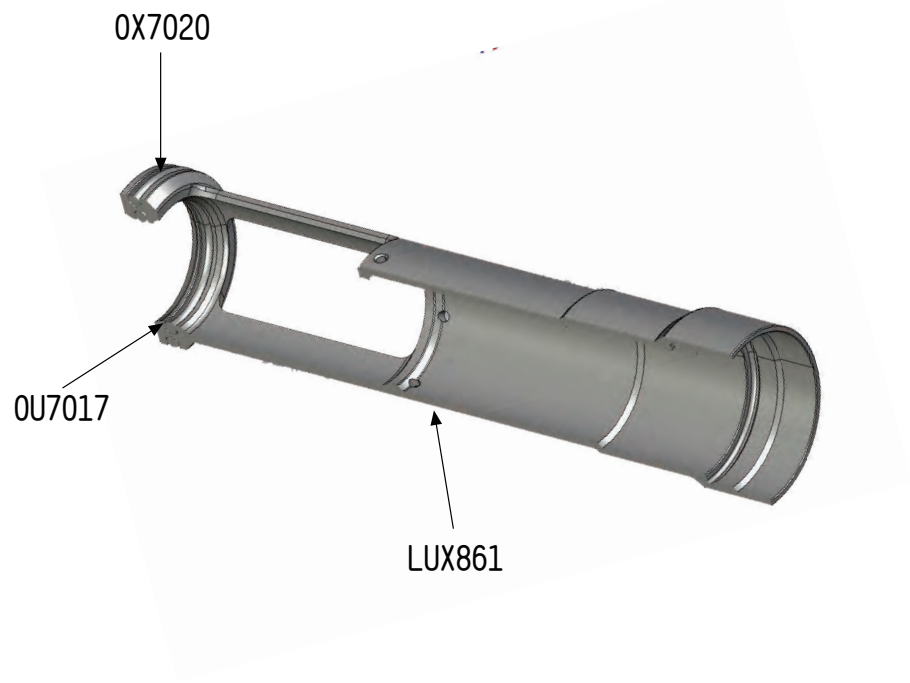
OB9010

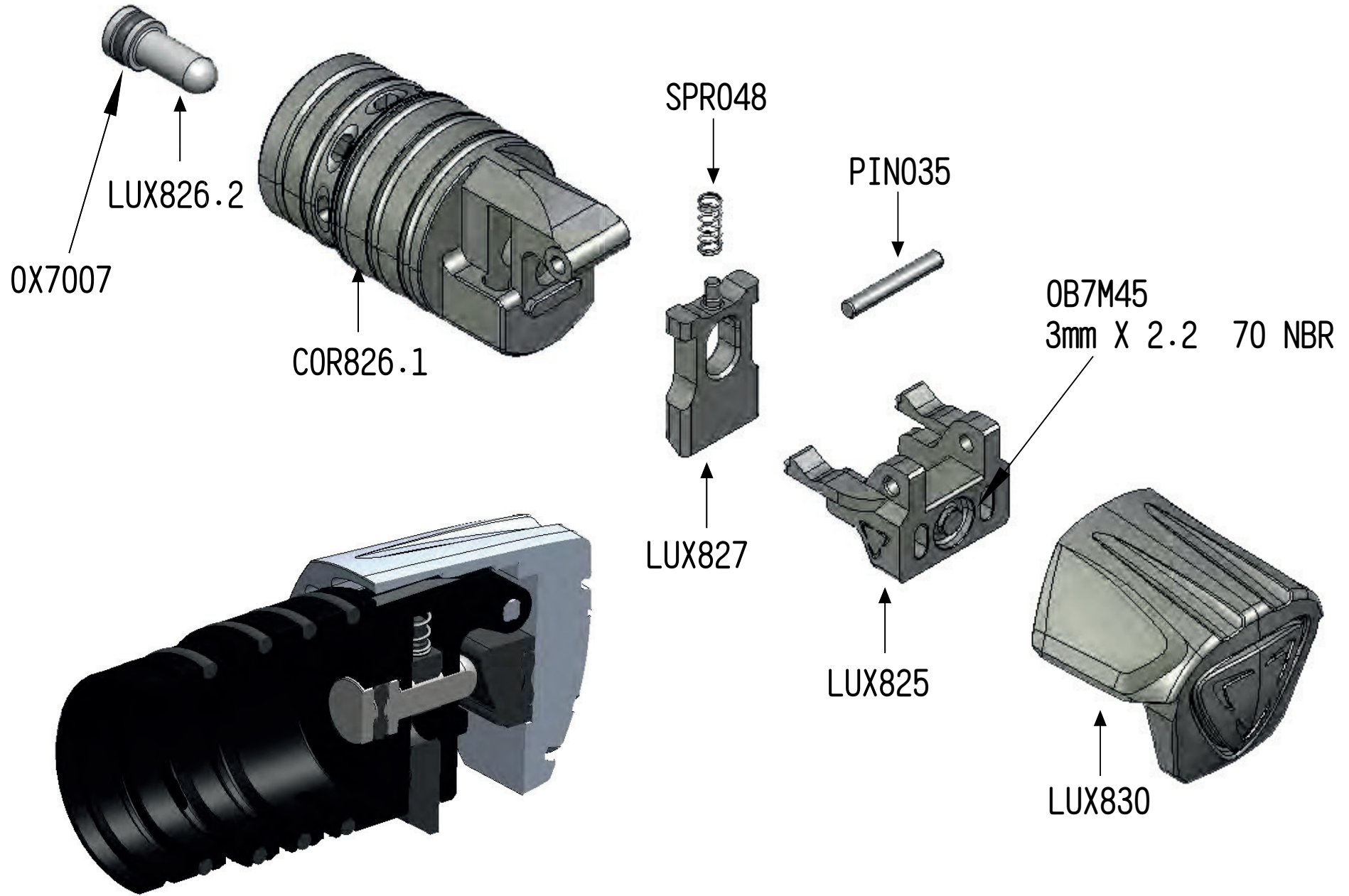
LUX820

OB6014

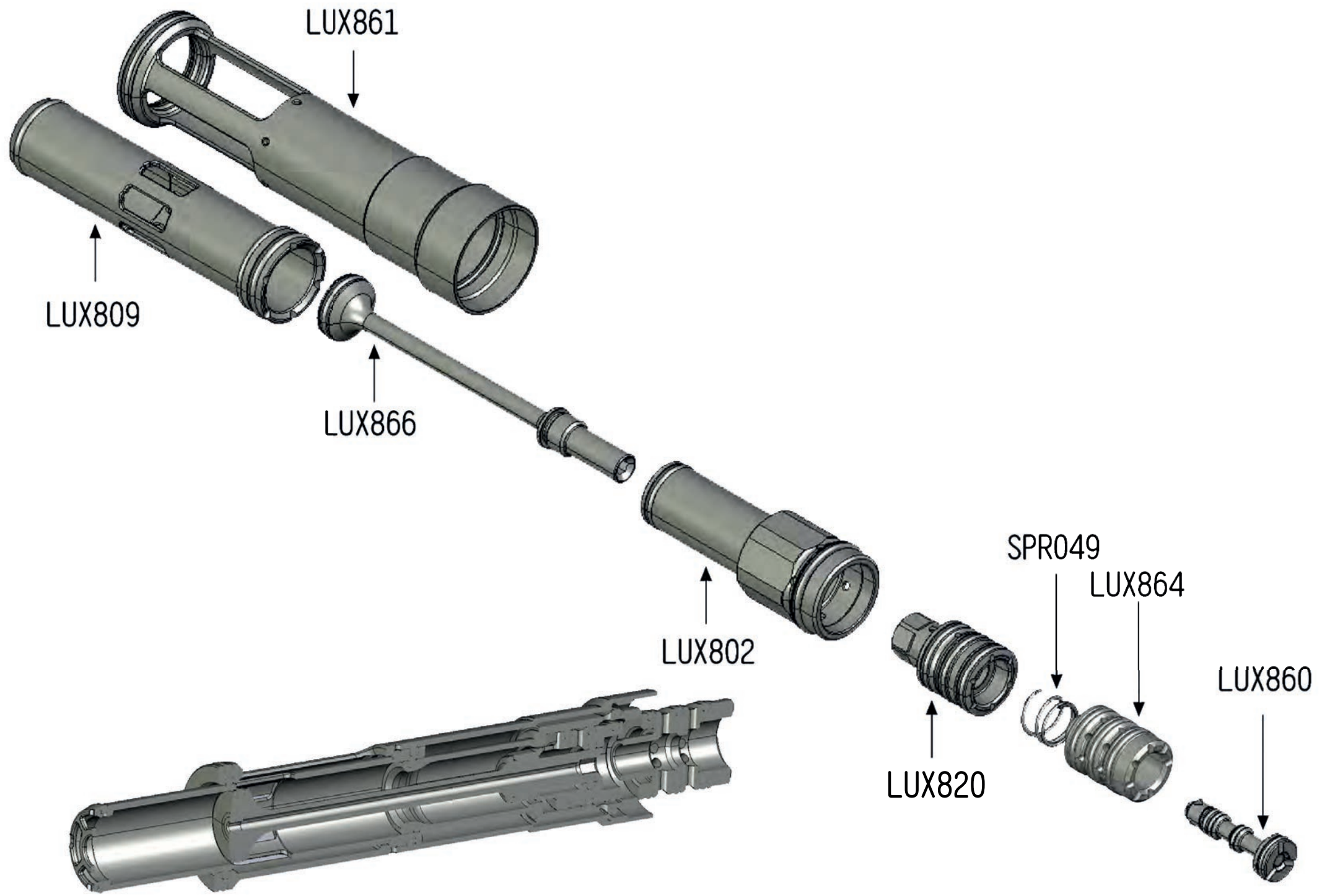


Red Loctite

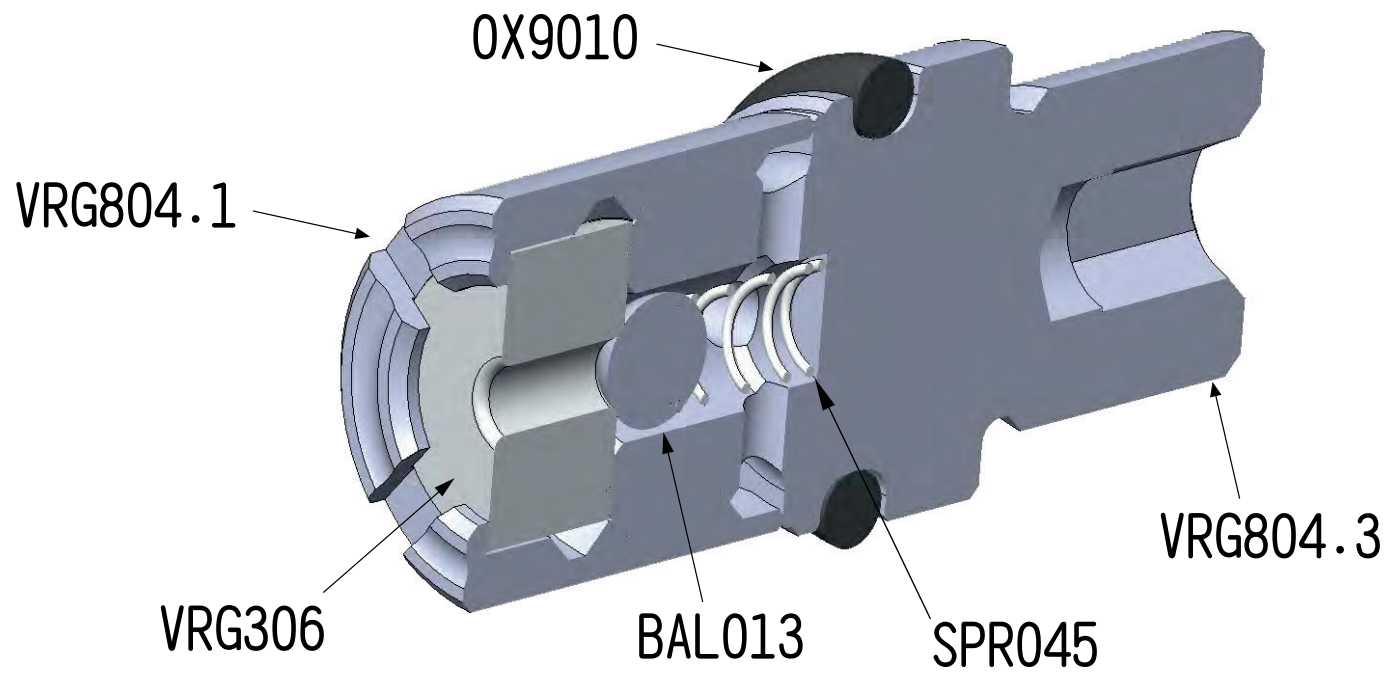
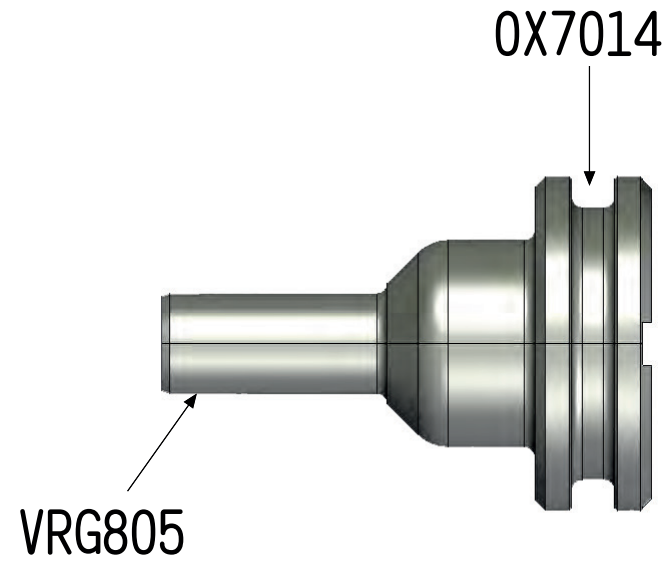
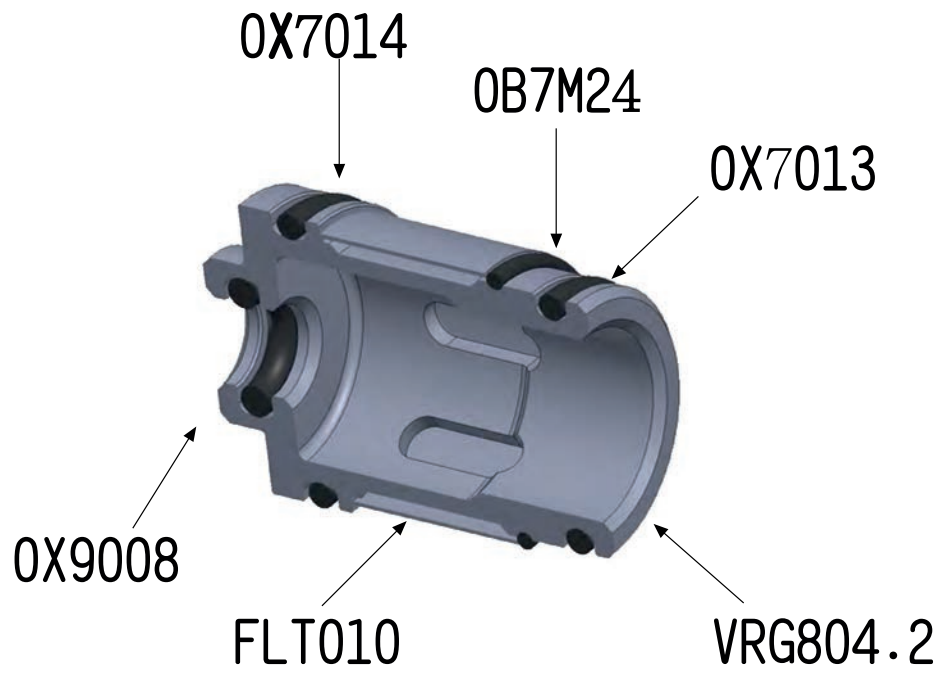


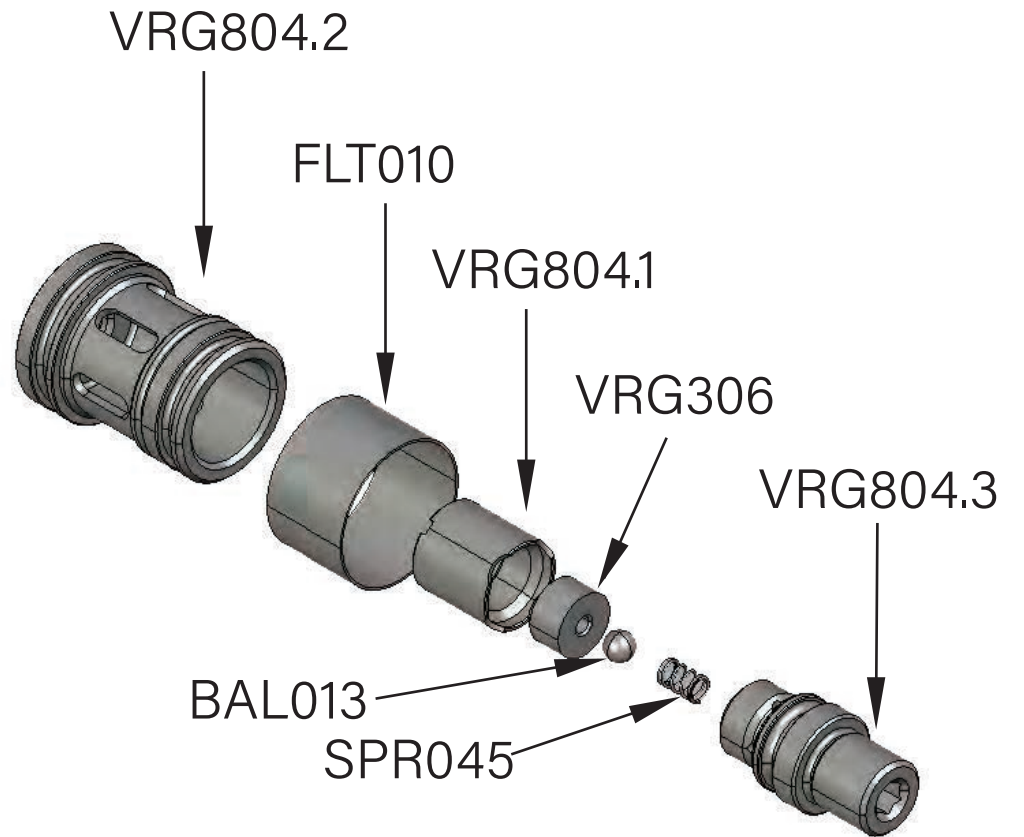
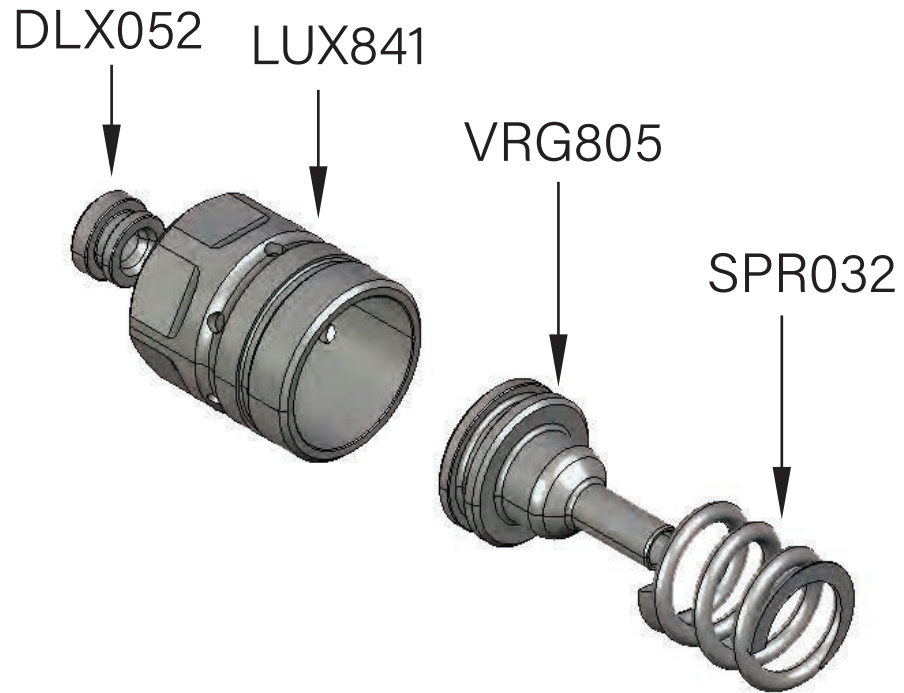


4.BOLT-ALL1

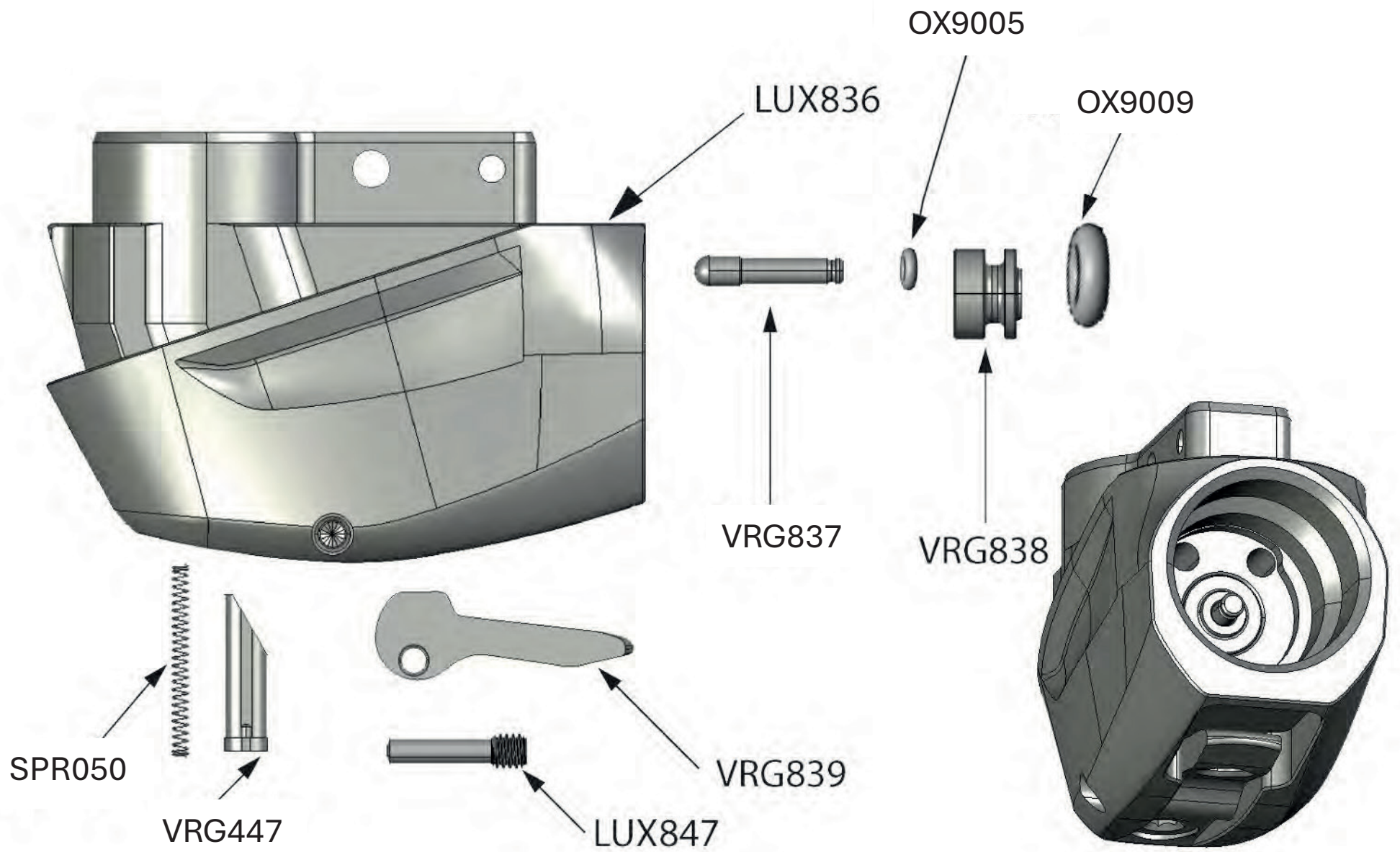


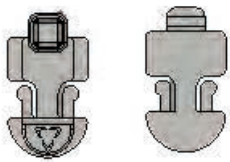
5.BOLT-ALL2





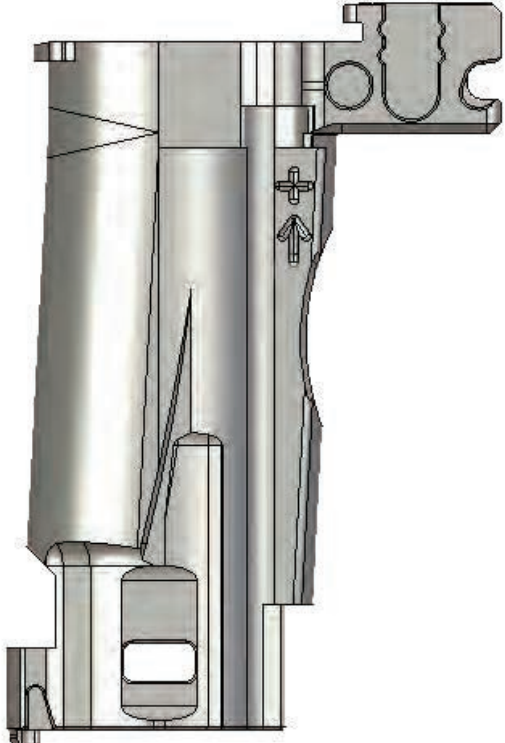
7. VRG-ALL





LUX823 \* 2

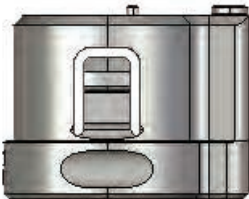
LUX805



SSS021



LUX894



LUX894.1



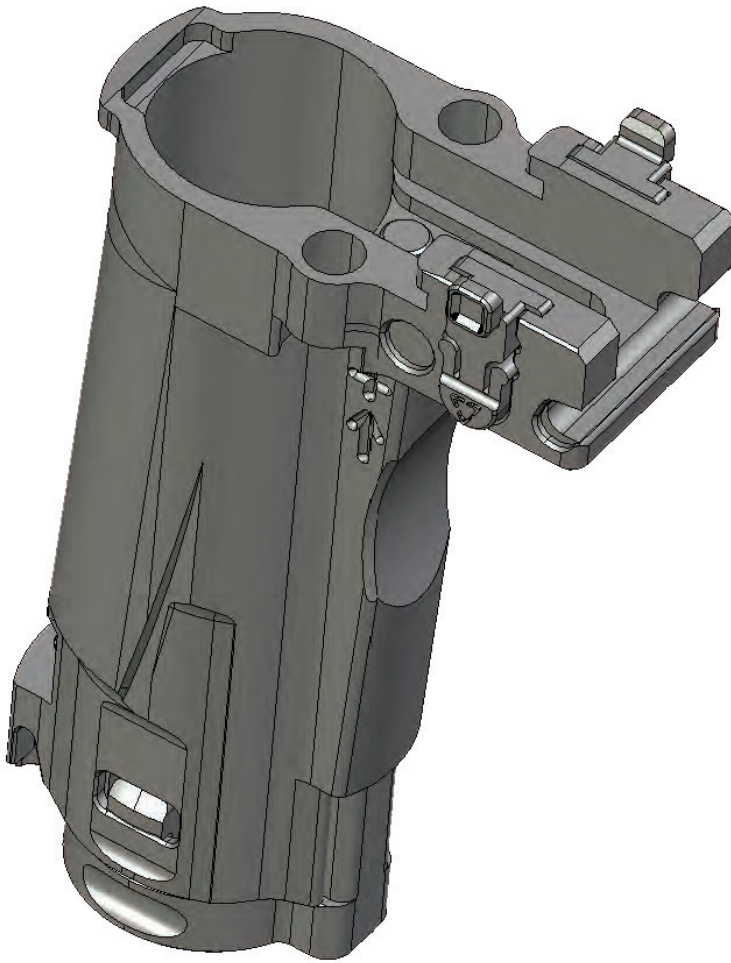
LUX828.1  
(Length=49.5mm ±0.5mm)



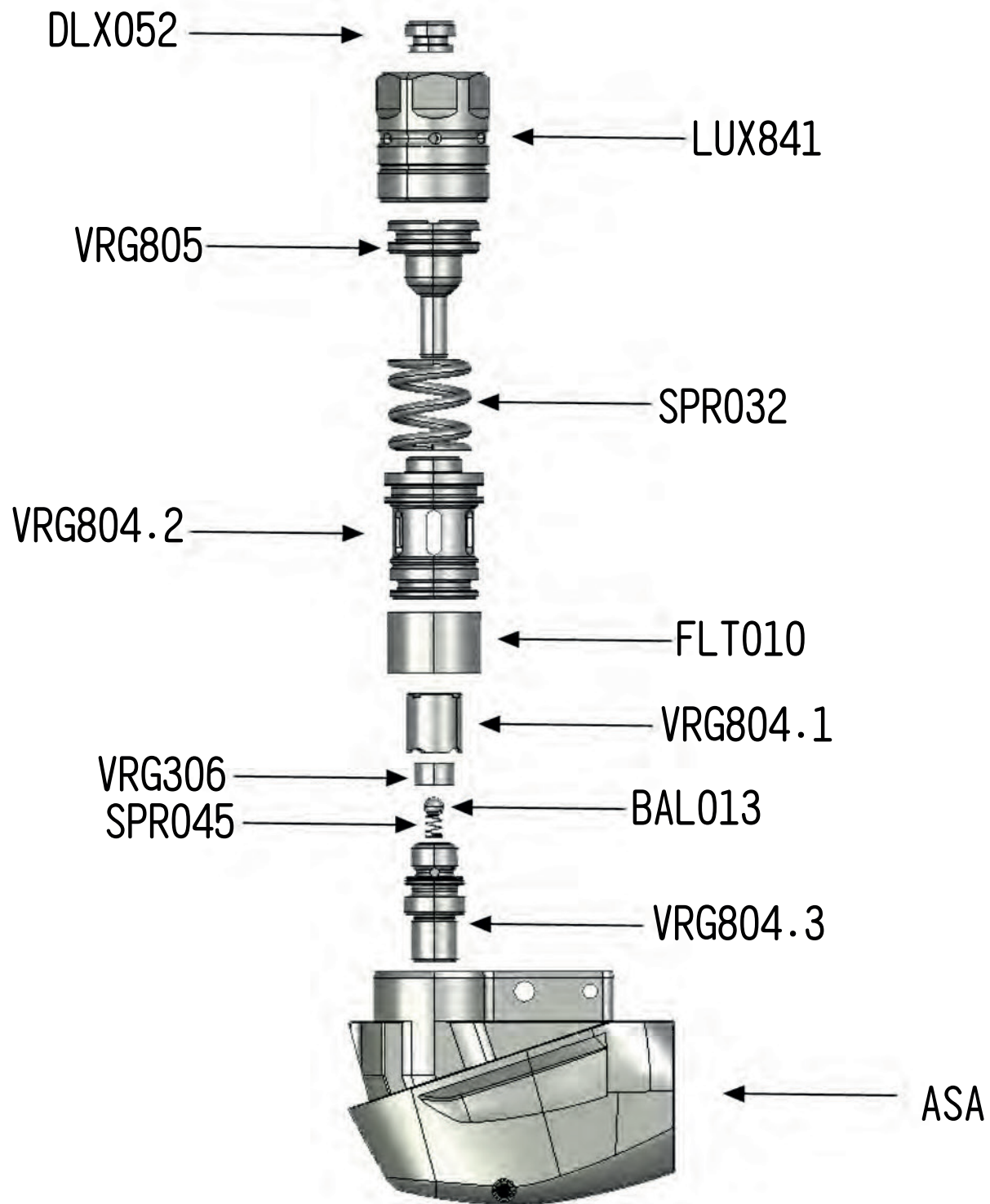
LUX828

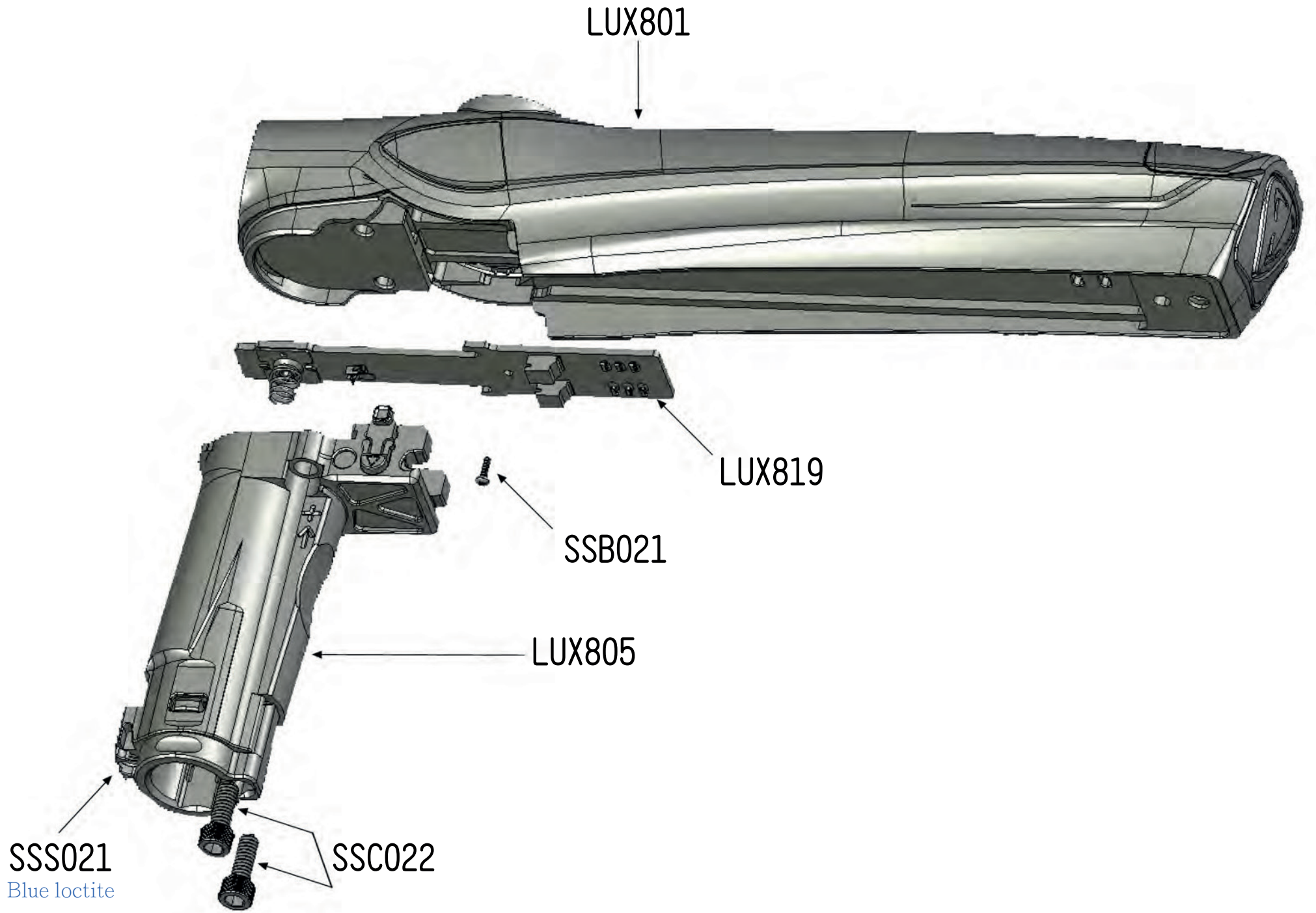


LUX894.2



9. BAT-ALL



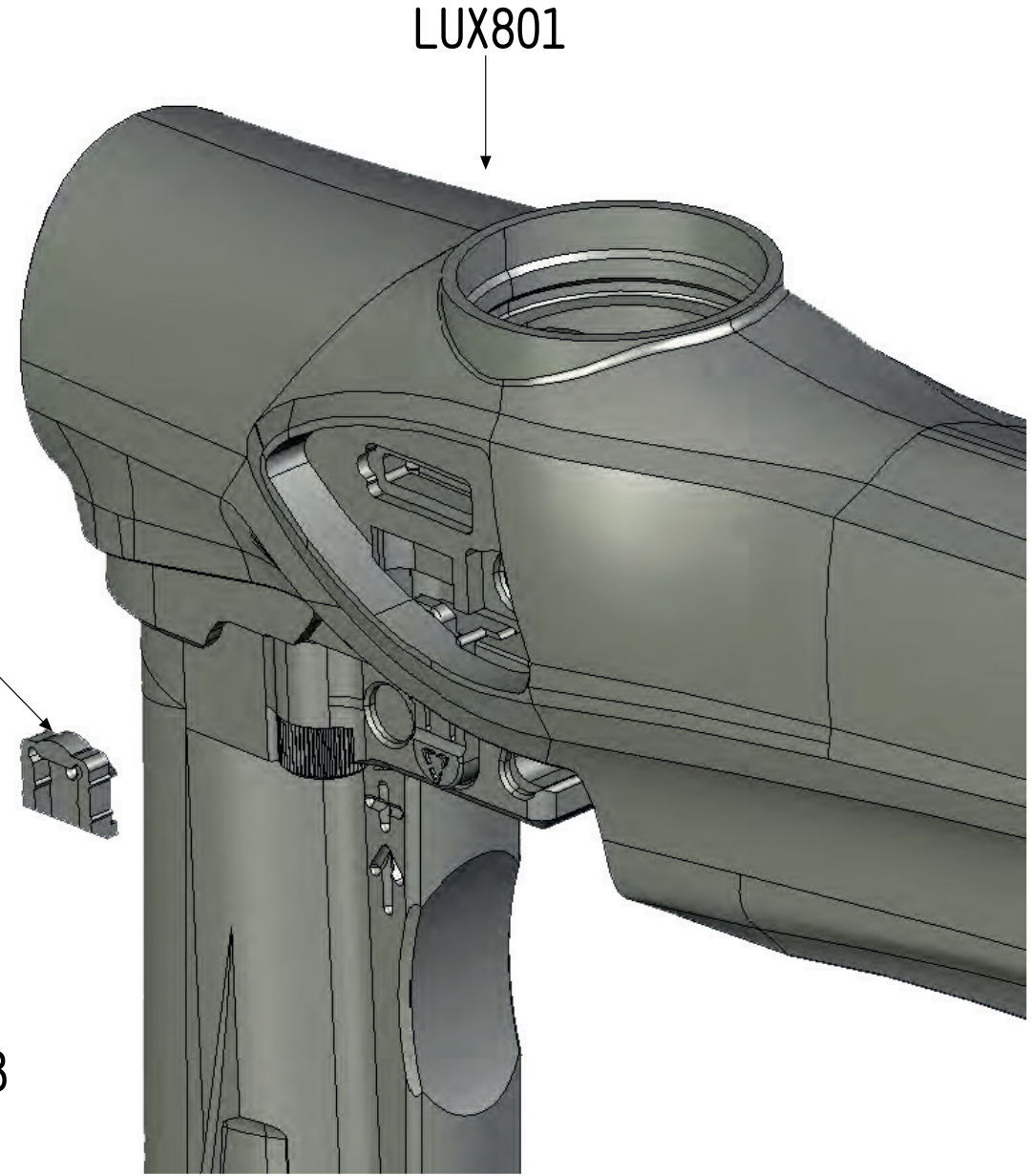




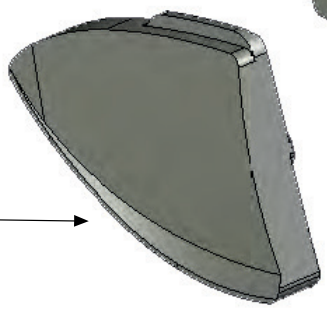
OB7M41



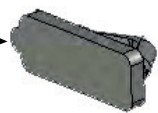
OB7M04



LUX801



LUX812



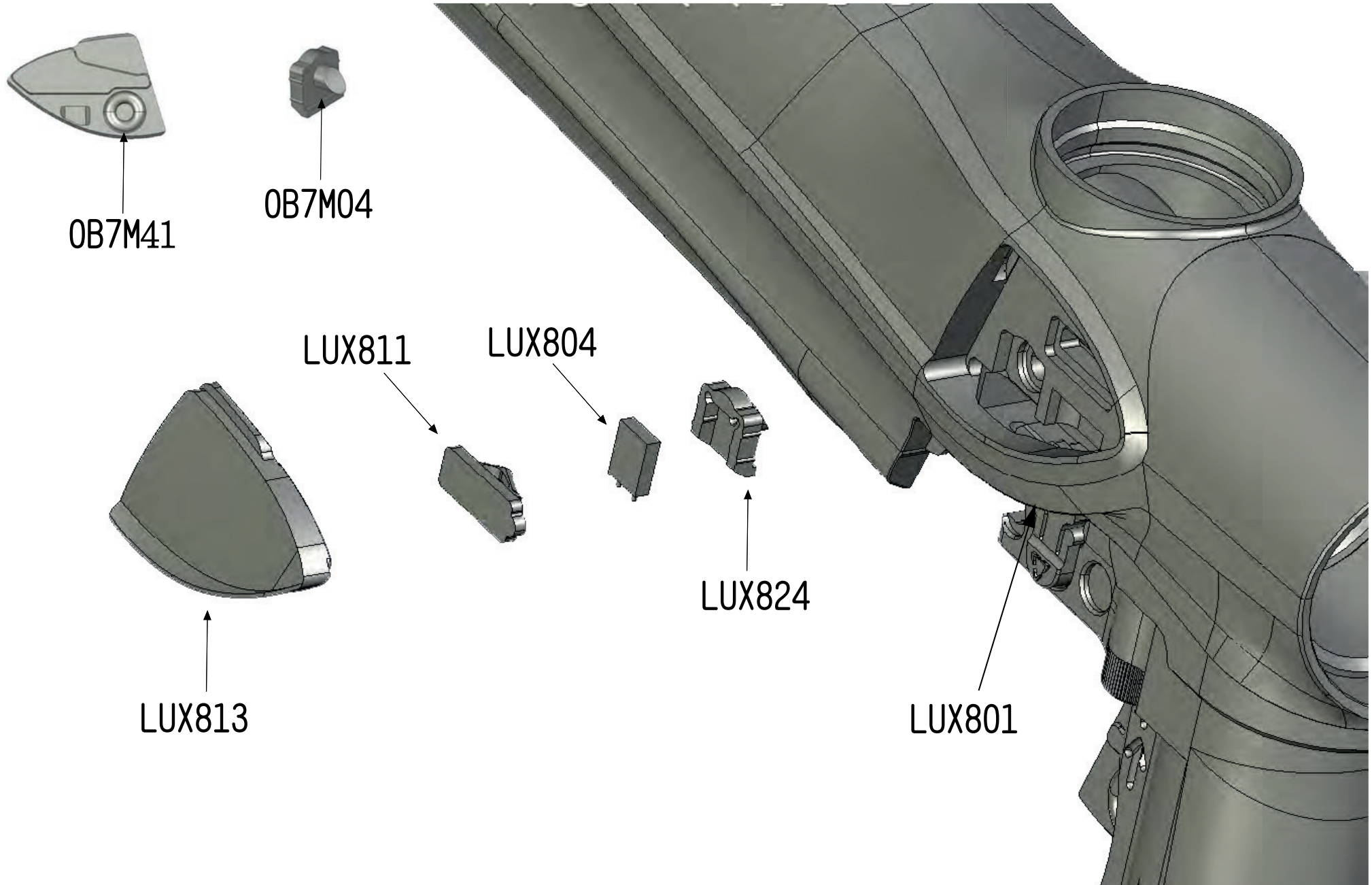
LUX811

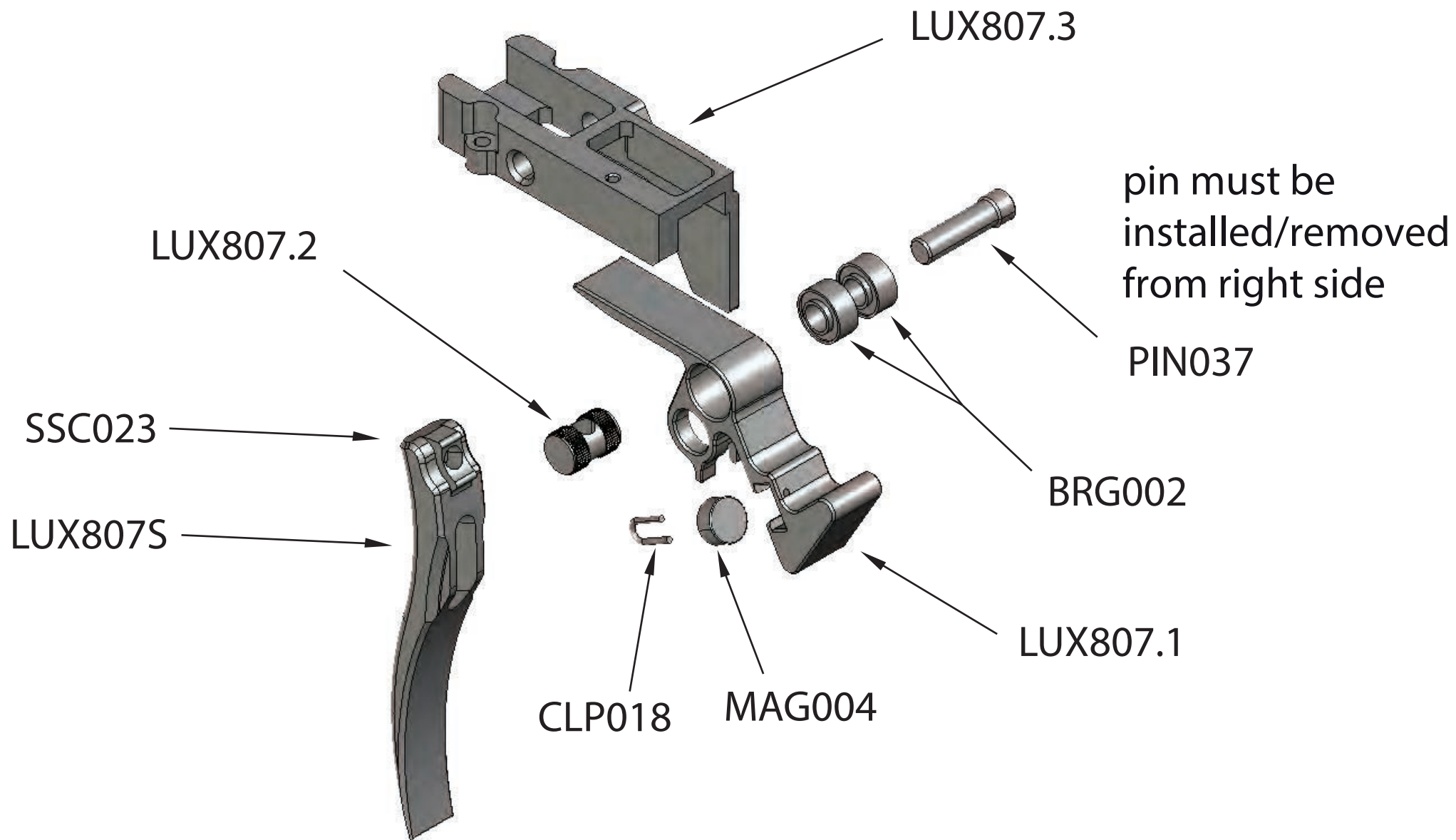


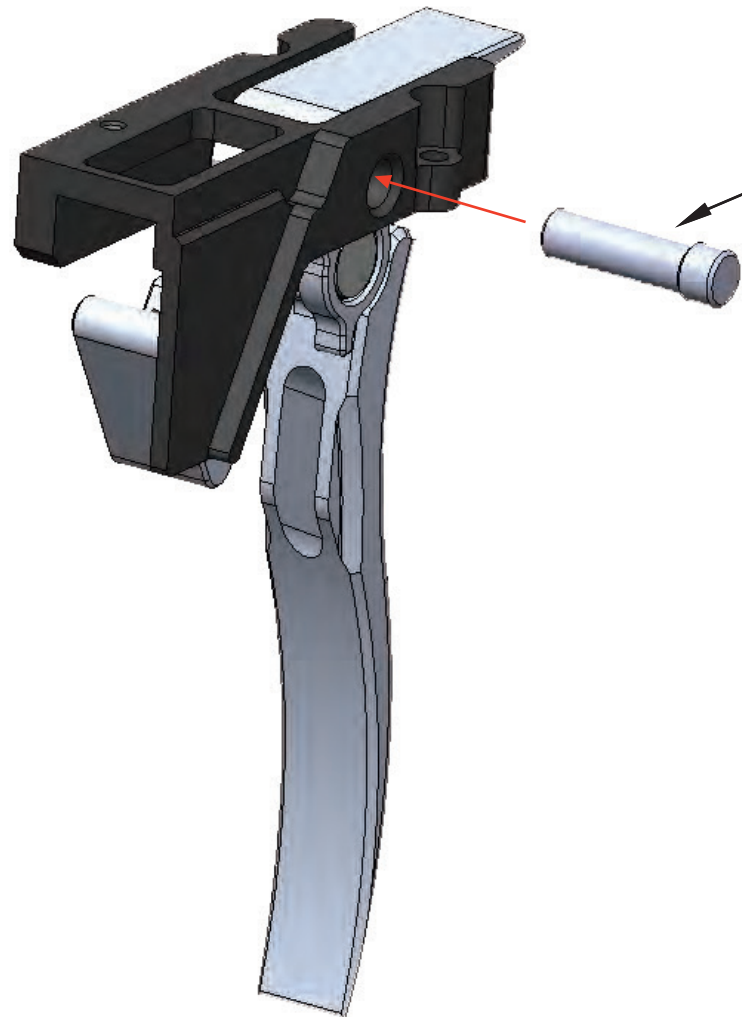
LUX803



LUX824

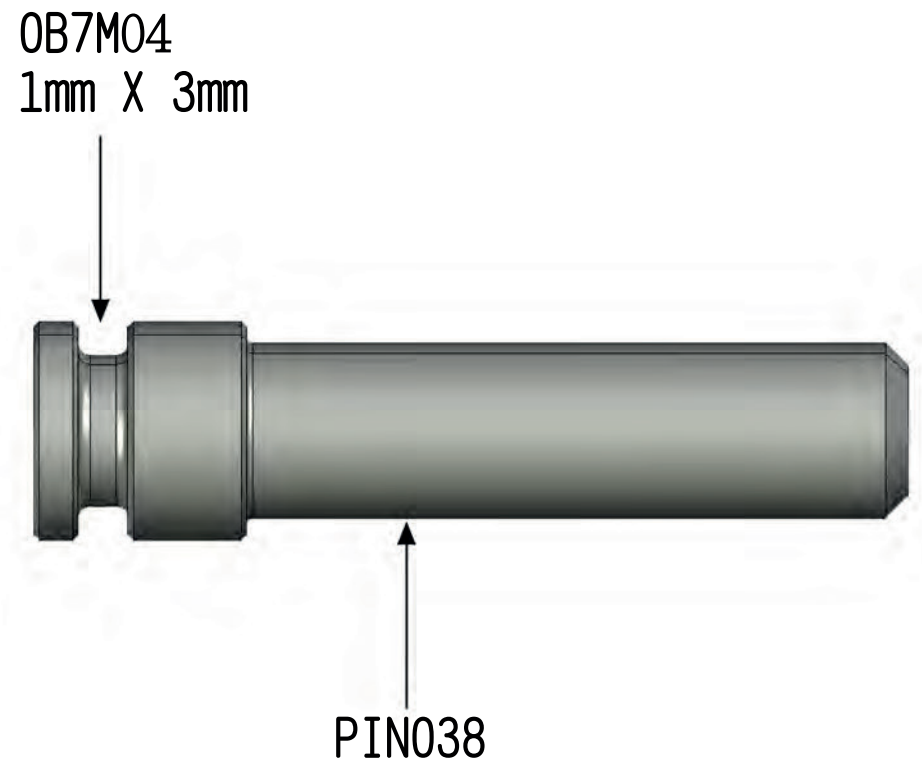
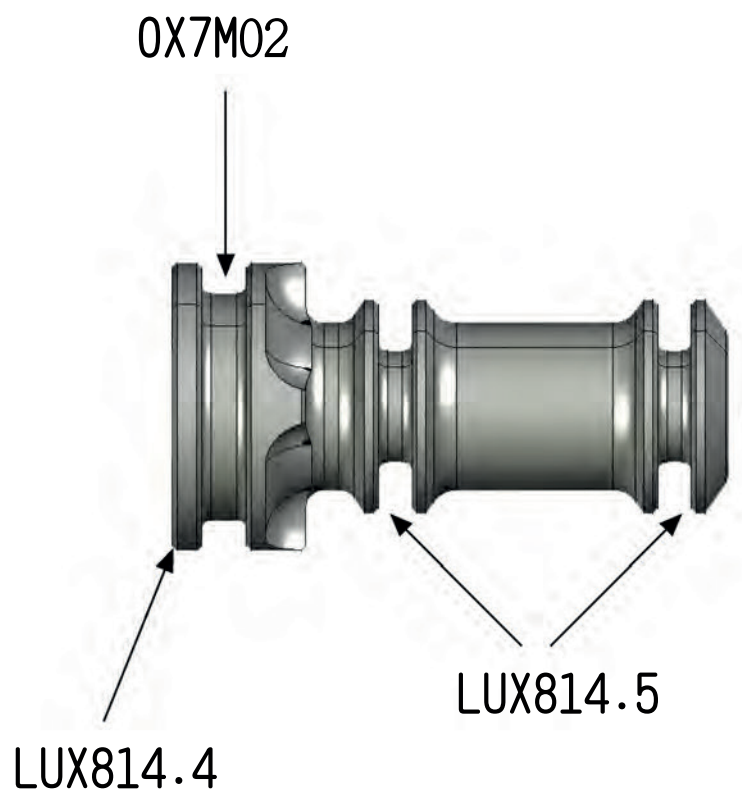




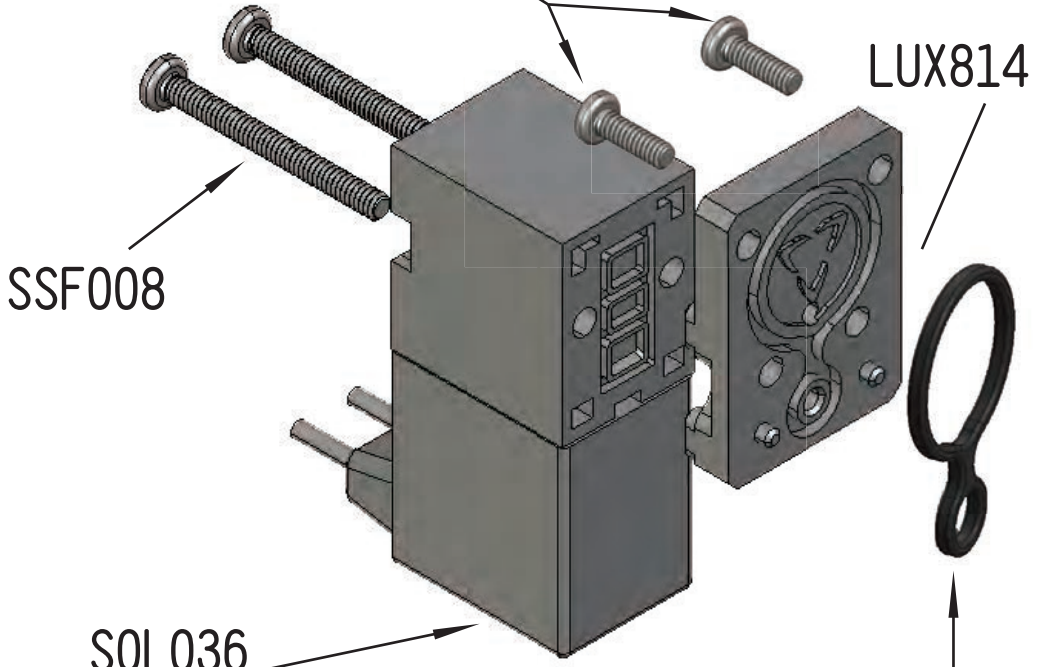


PIN037

PIN MUST BE  
REMOVED/  
INSTALLED FROM  
RIGHT SIDE OF PART



SSF007



SSF008

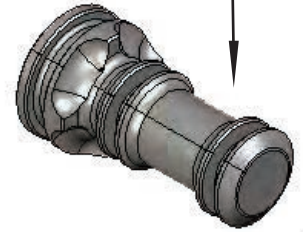
LUX814.1

SOL036

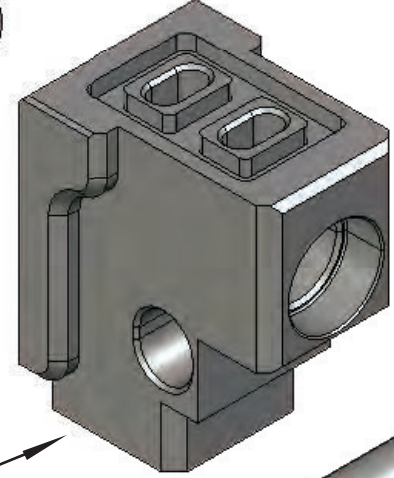
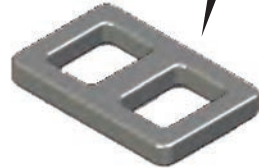


LUX814.6

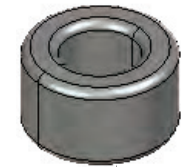
LUX814.4



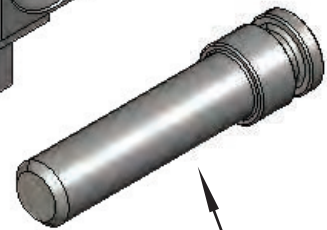
LUX814.2



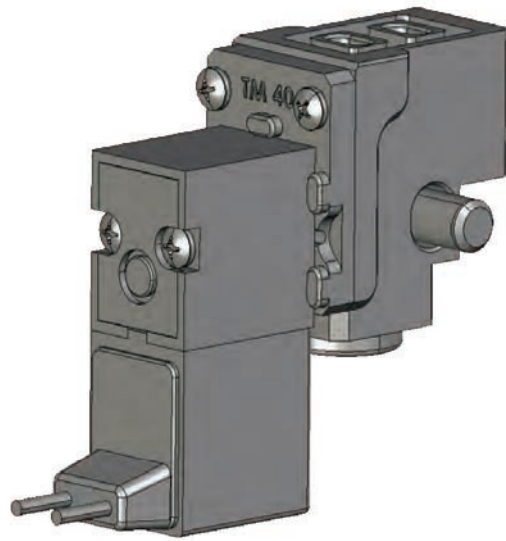
LUX814.3



DLX051

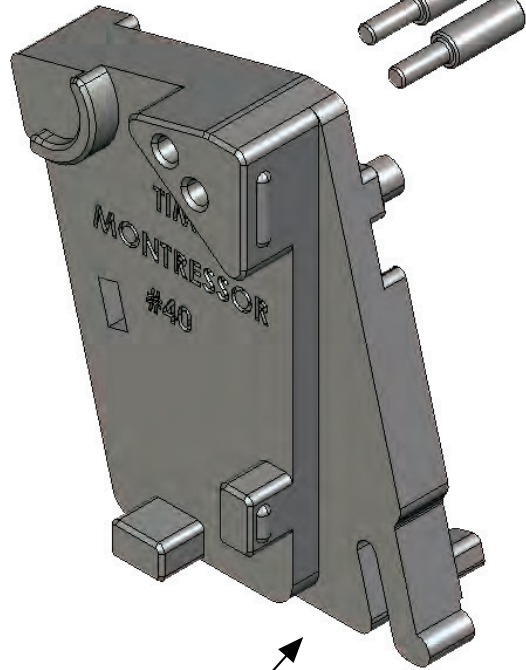


PIN038



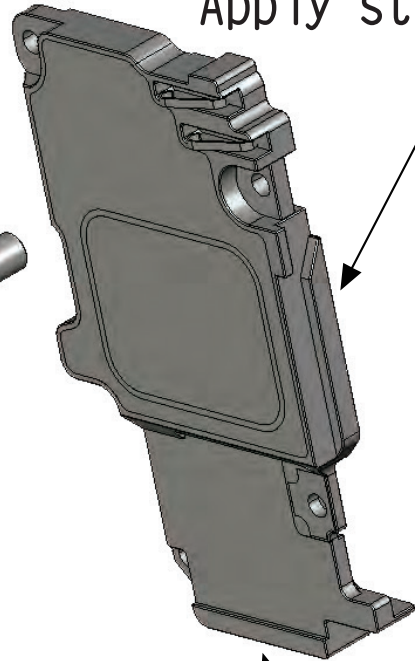
12.SOLENOLD-ALL

LUX852.2



LUX852.1

Apply stickers

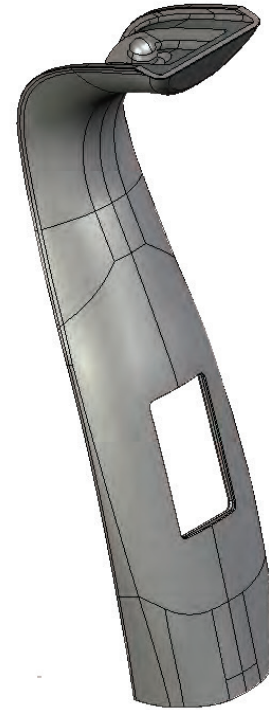


LUX522

0X7M01



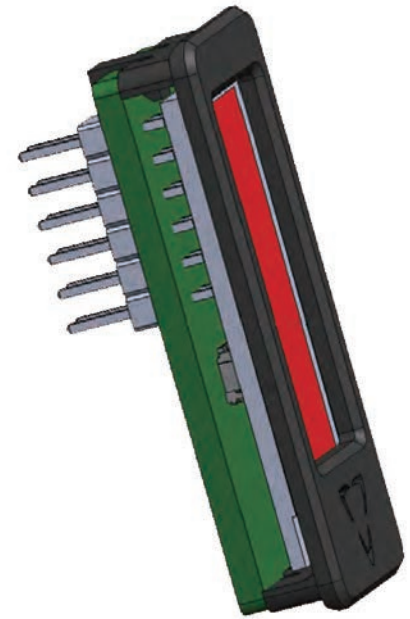
LUX821



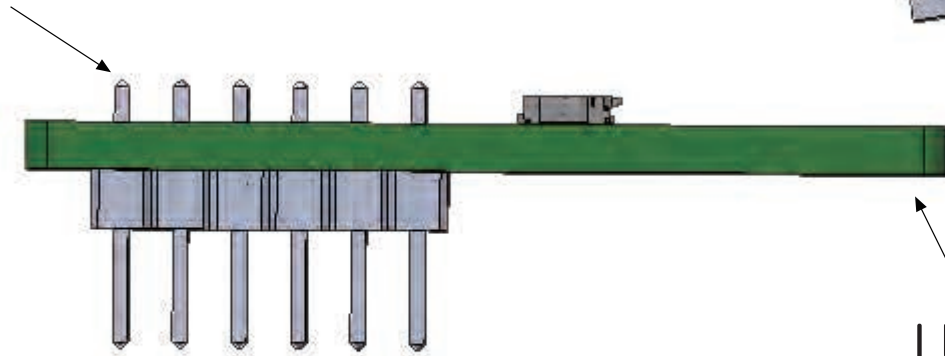
LUX815



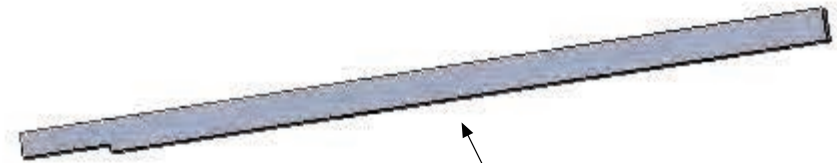
LUX834



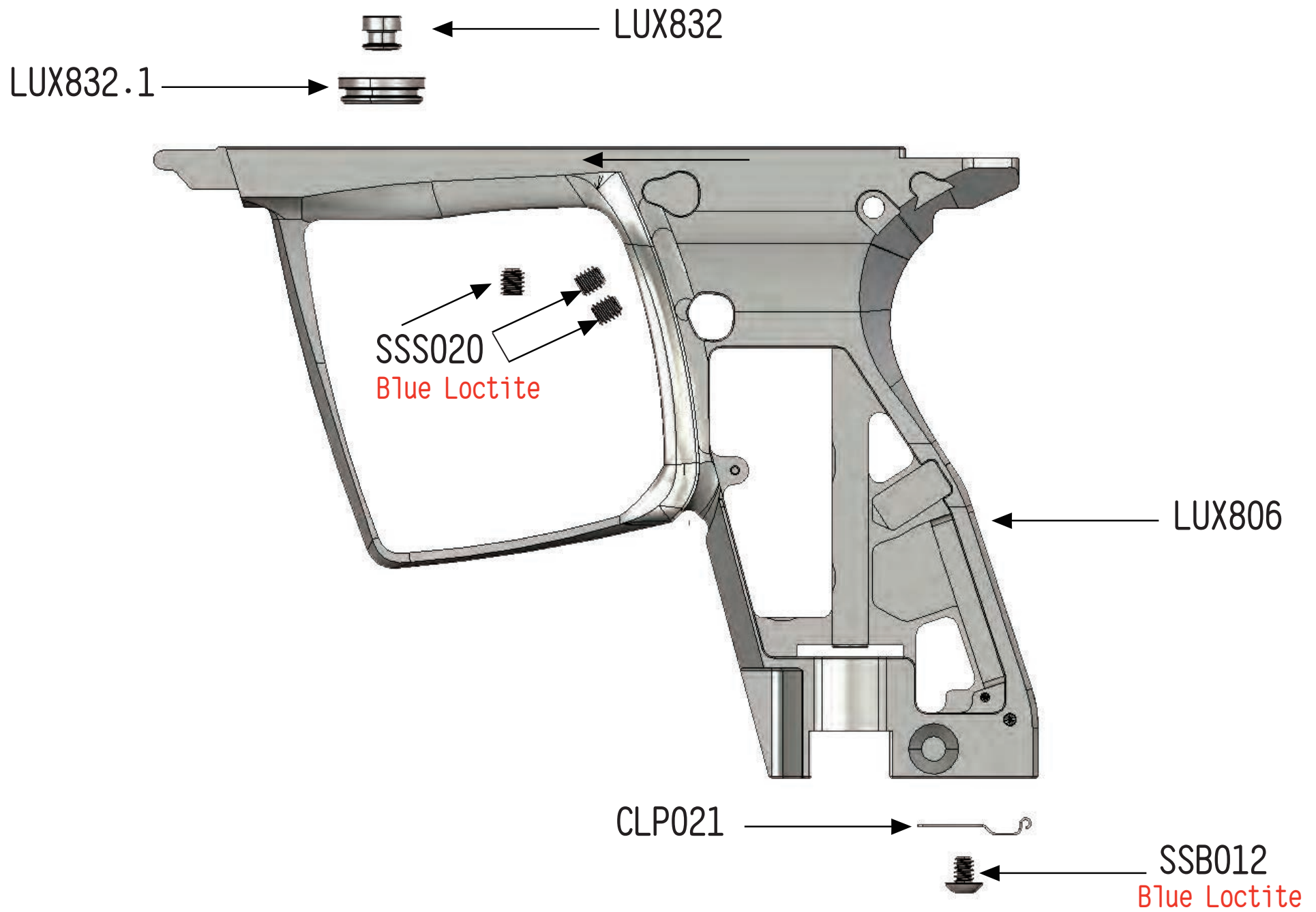
pins to cut  
Apply stickers (14.5mm\*6.5mm)



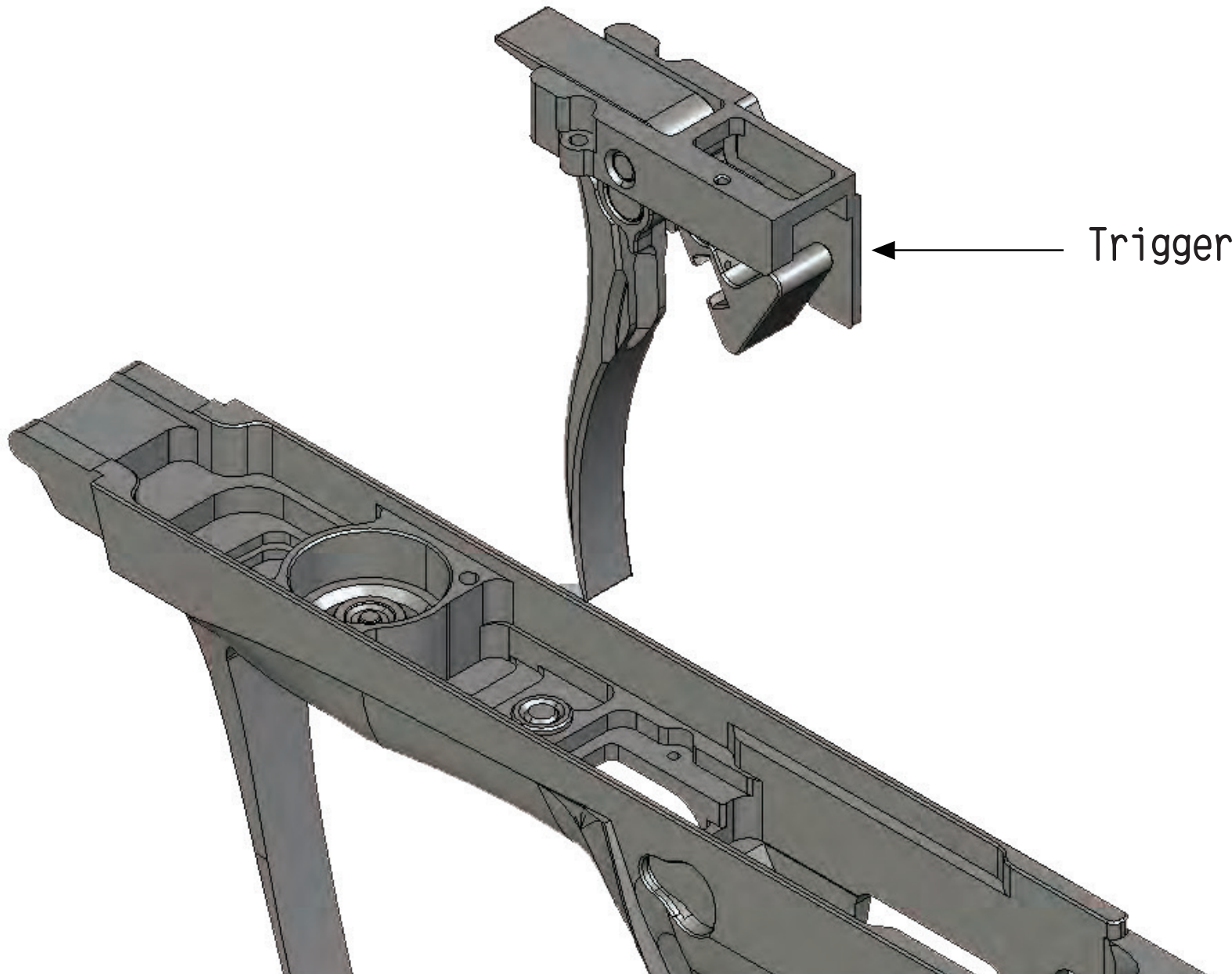
LUX818



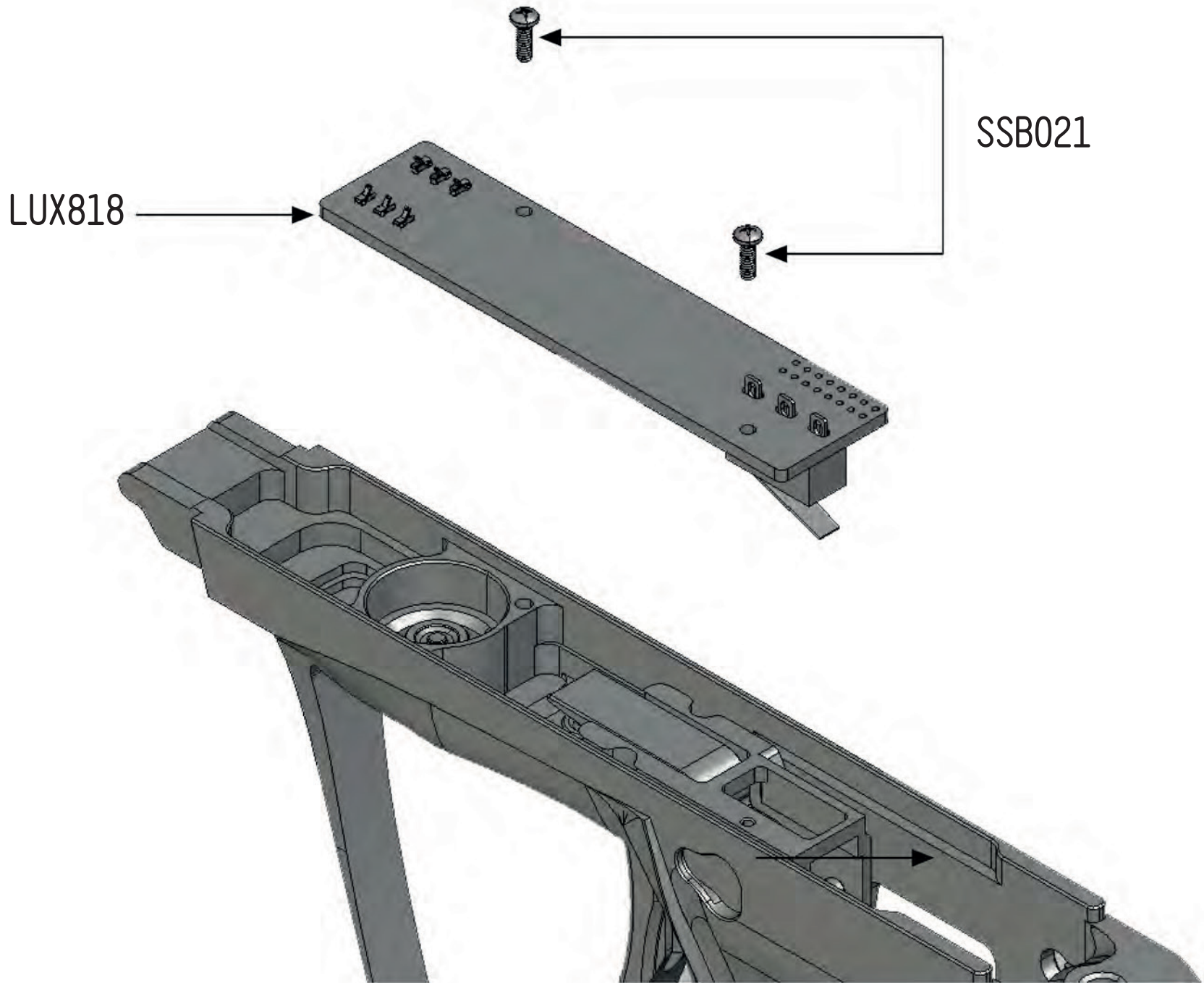
SCR004



SSB021

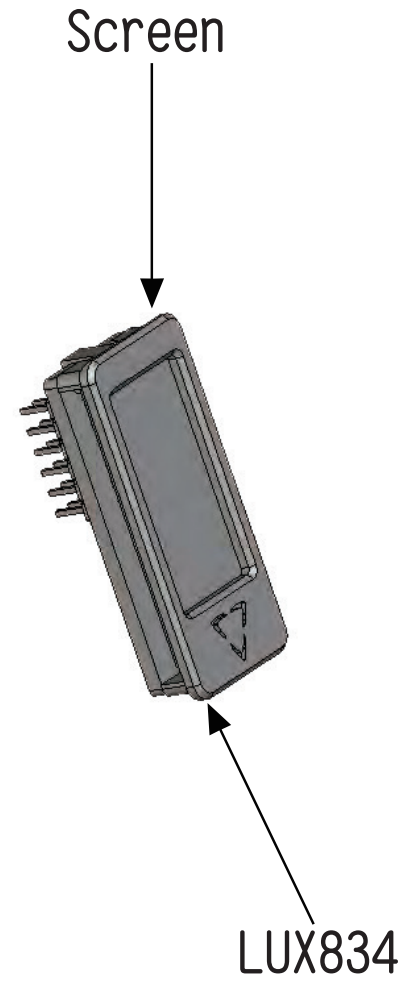
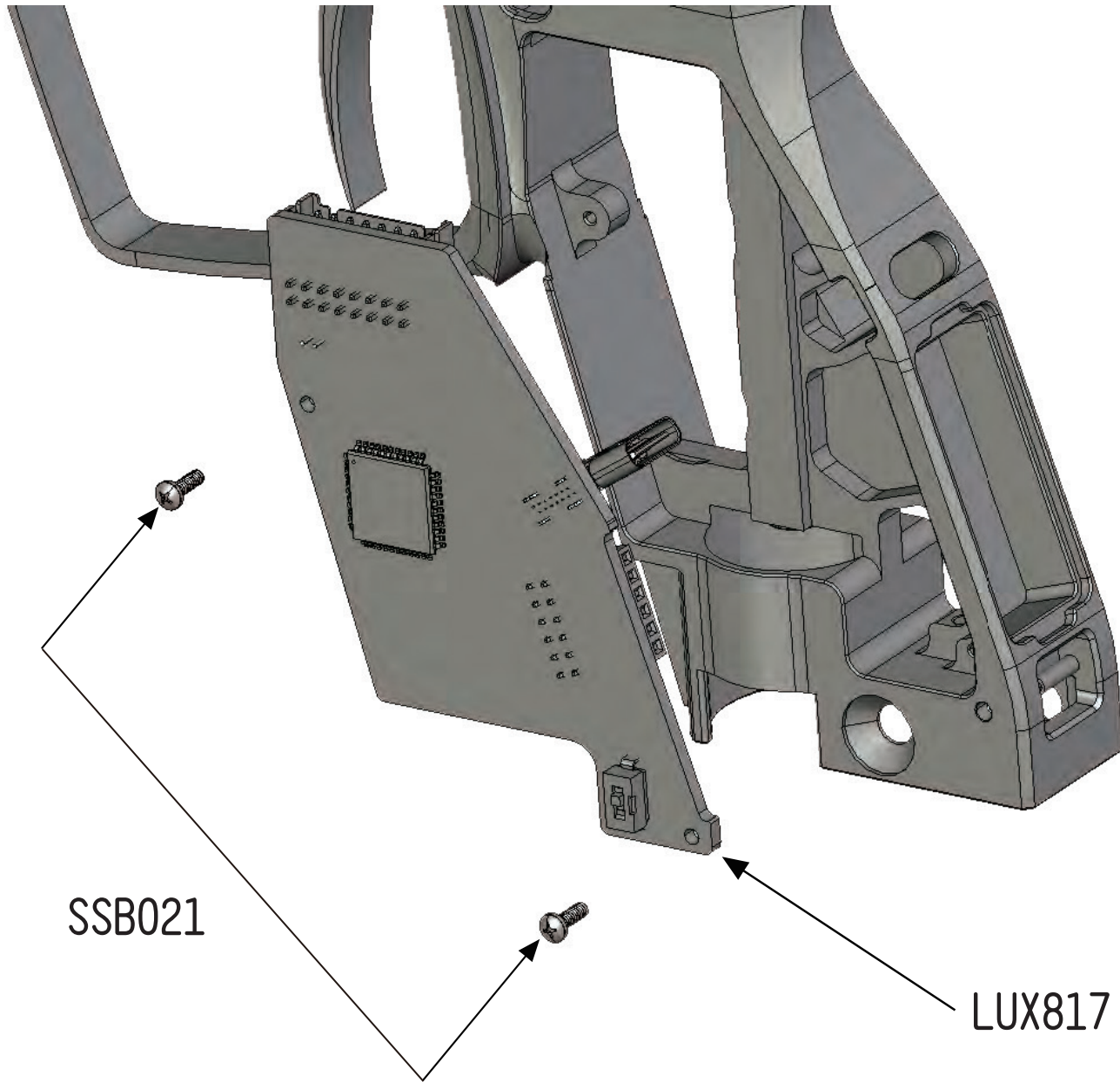


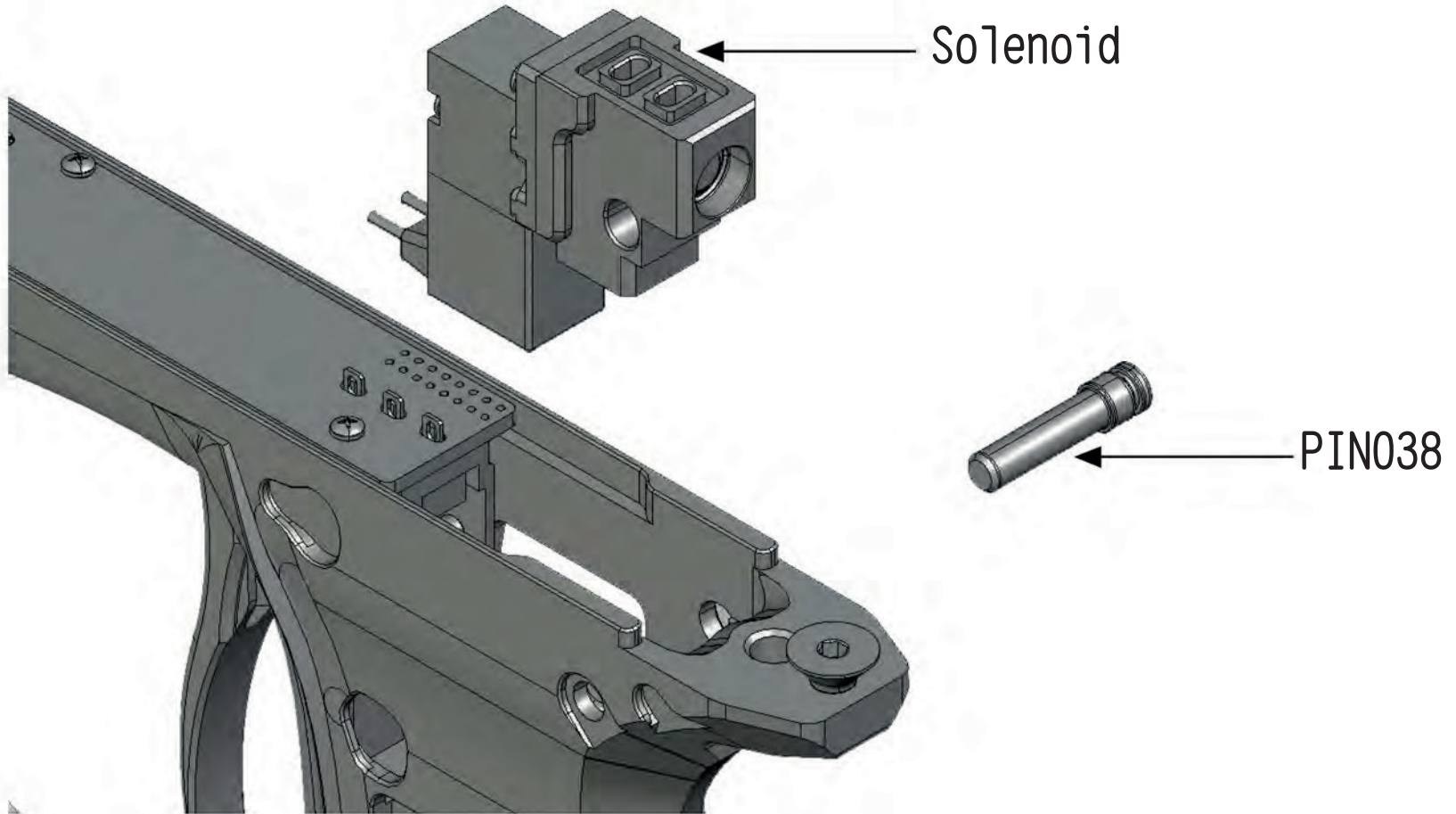
Trigger

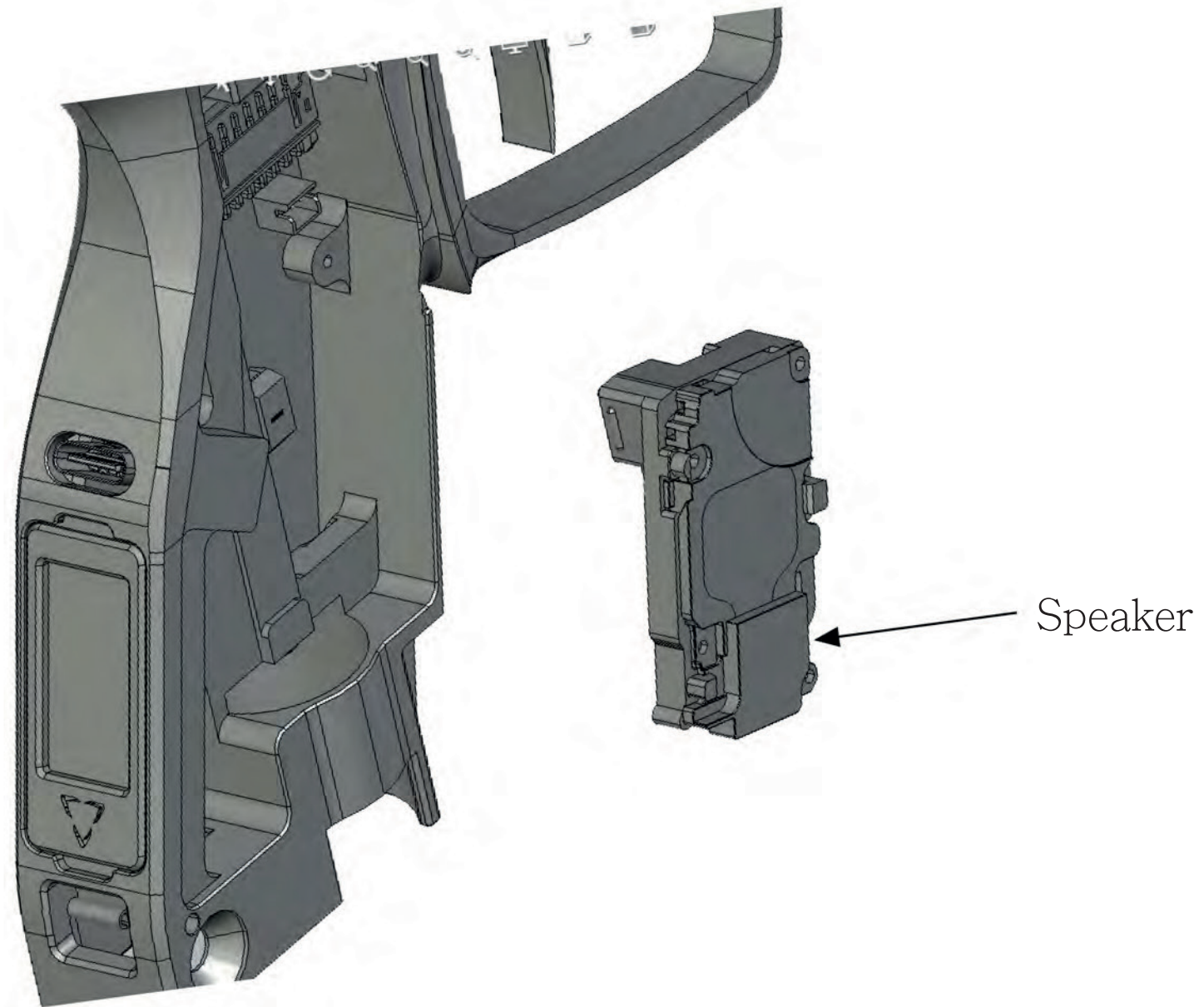


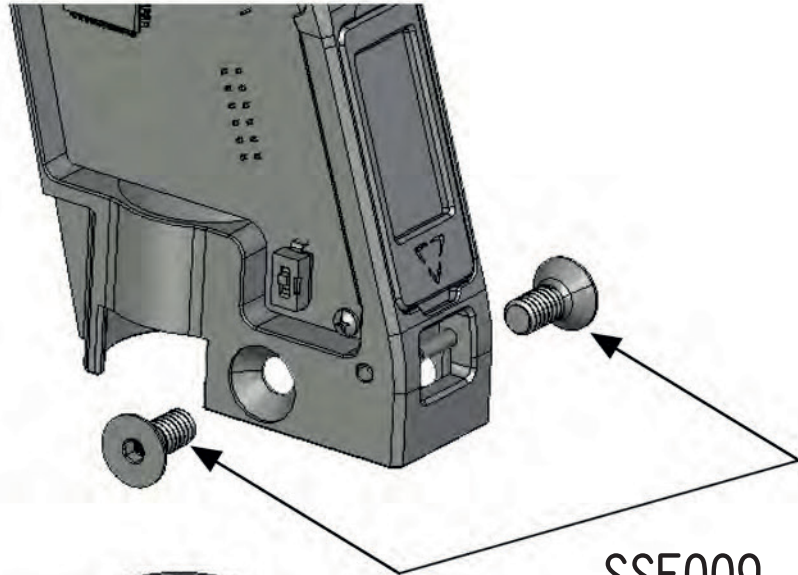
LUX818

SSB021



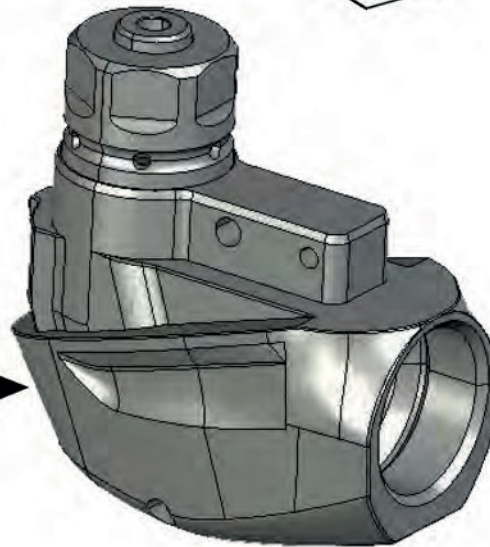


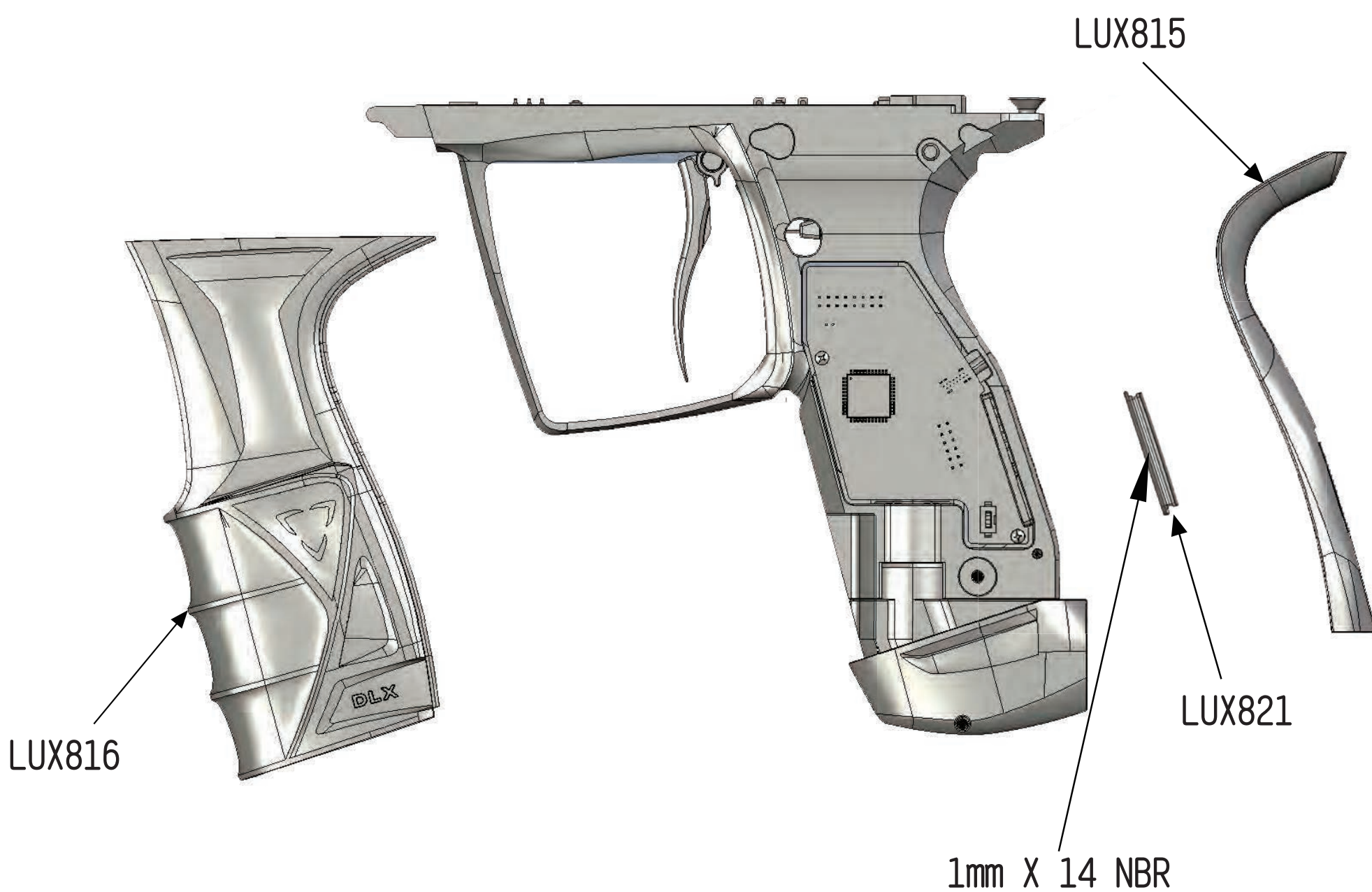




SSF009  
blue loctite

ASA & VRG







0B7018



0B7018

