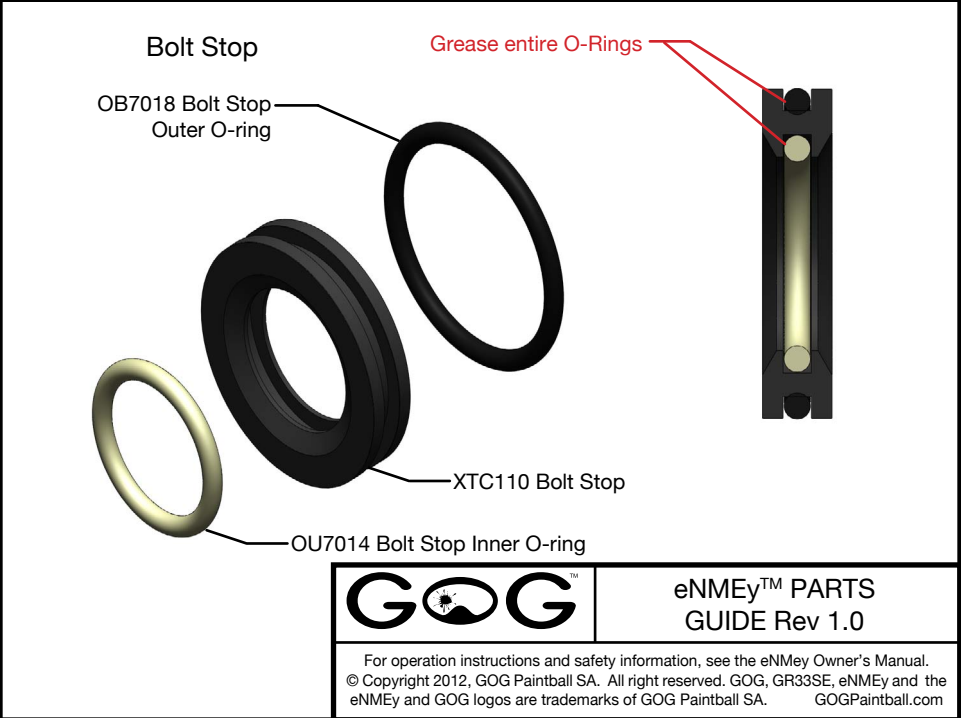
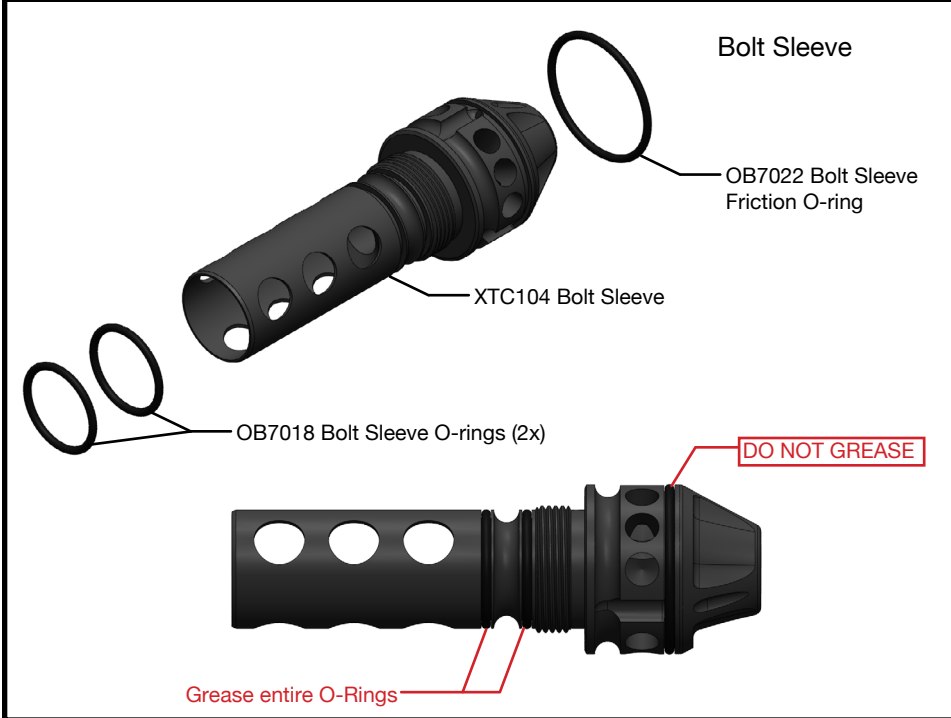
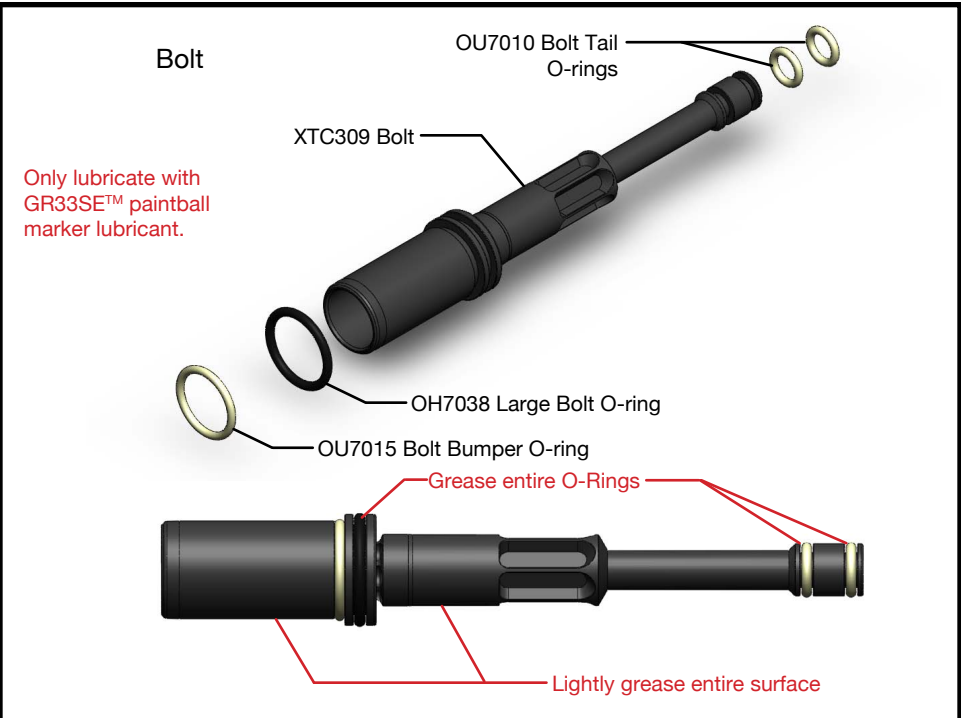
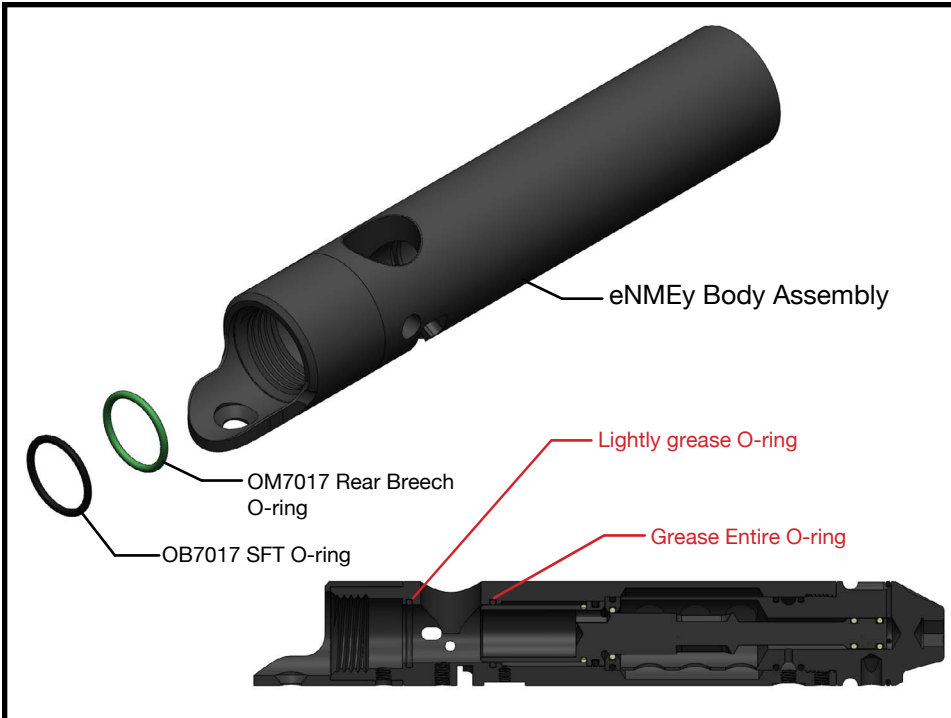


GOG™
paintball

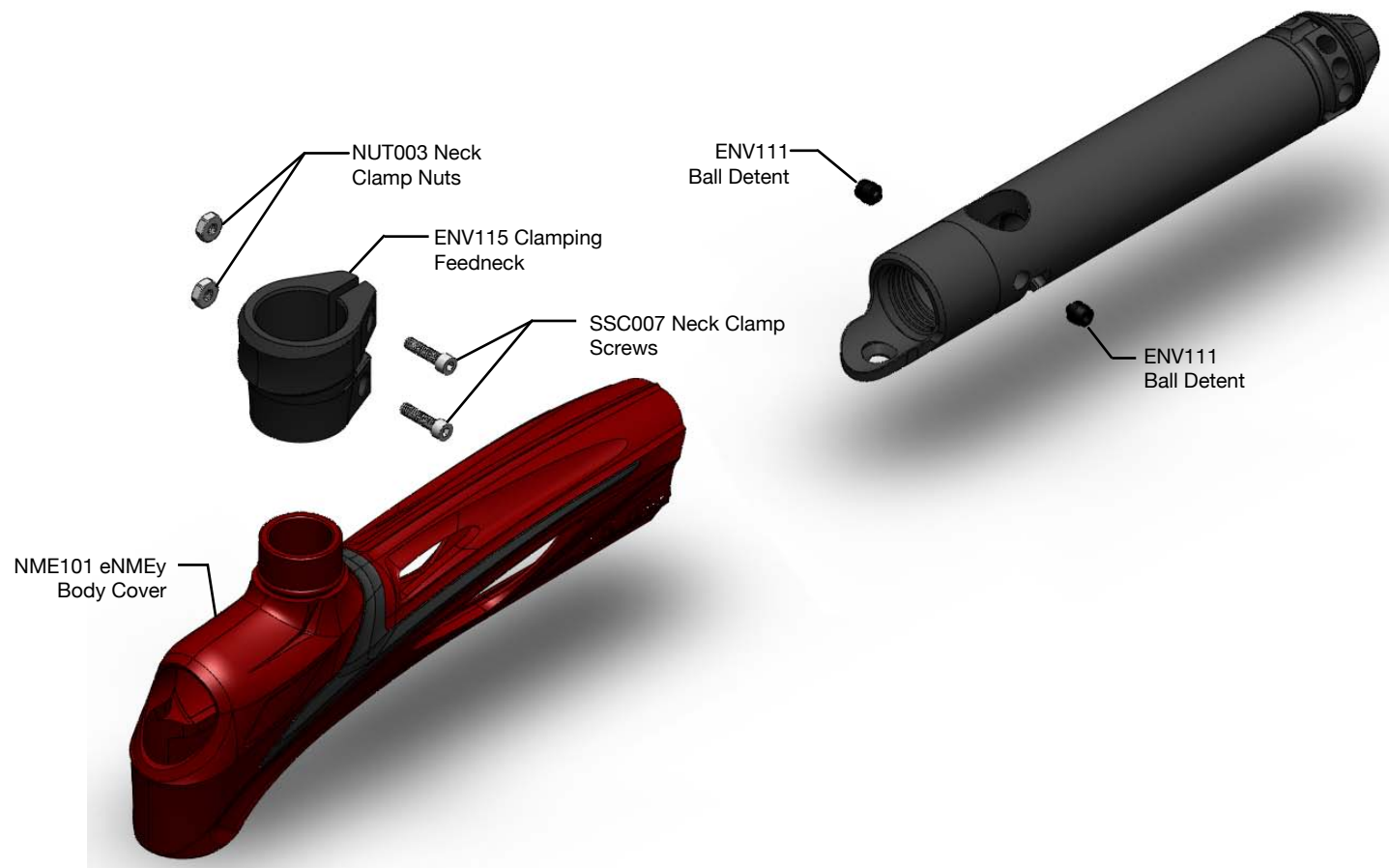
eNMEy™
parts guide





**eNMEy™ PARTS
GUIDE Rev 1.0**

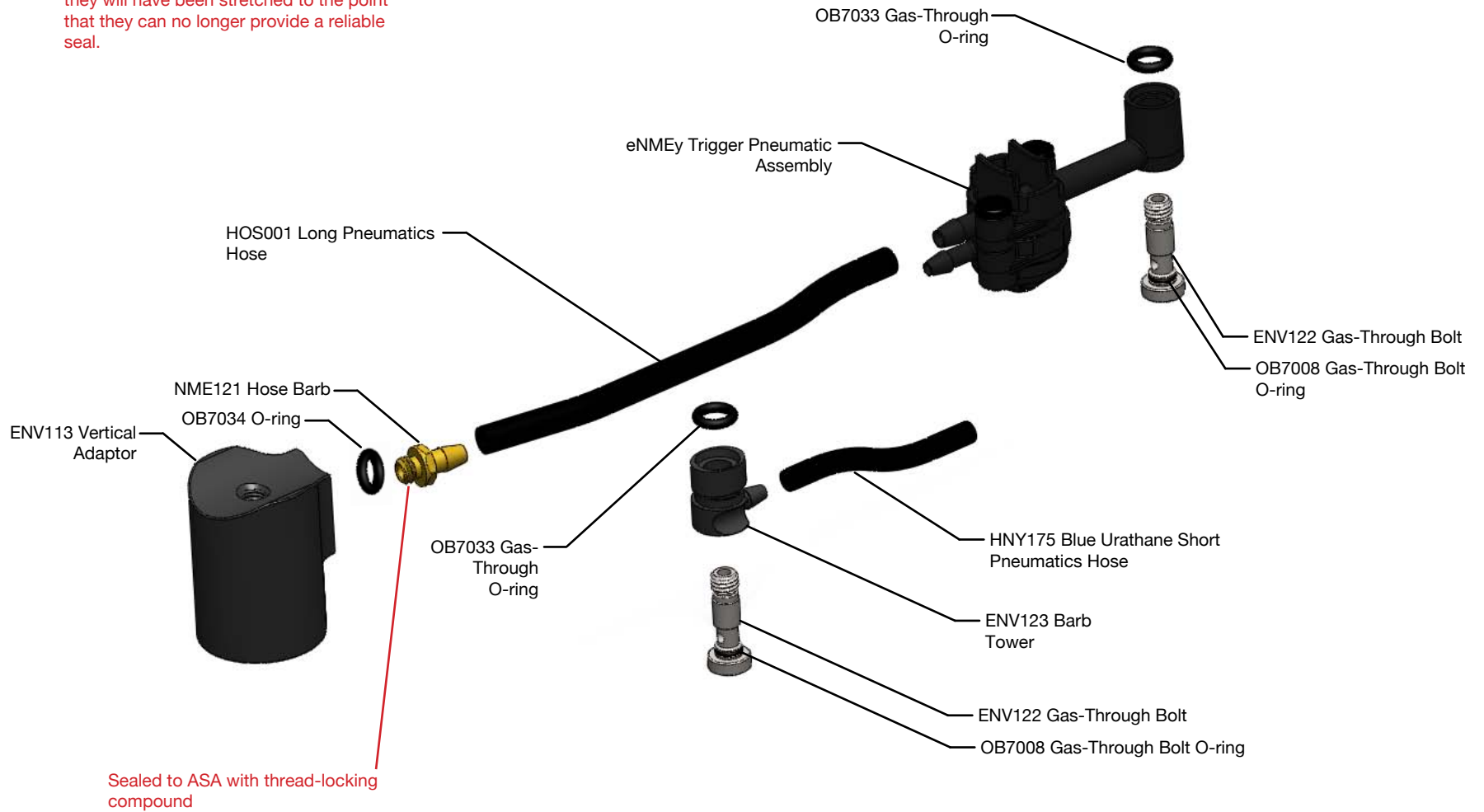
For operation instructions and safety information, see the eNMEy Owner's Manual.
© Copyright 2012, GOG Paintball SA. All right reserved. GOG, GR33SE, eNMEy and the eNMEy and GOG logos are trademarks of GOG Paintball SA. GOGPaintball.com



eNMEy™ PARTS
GUIDE Rev 1.0

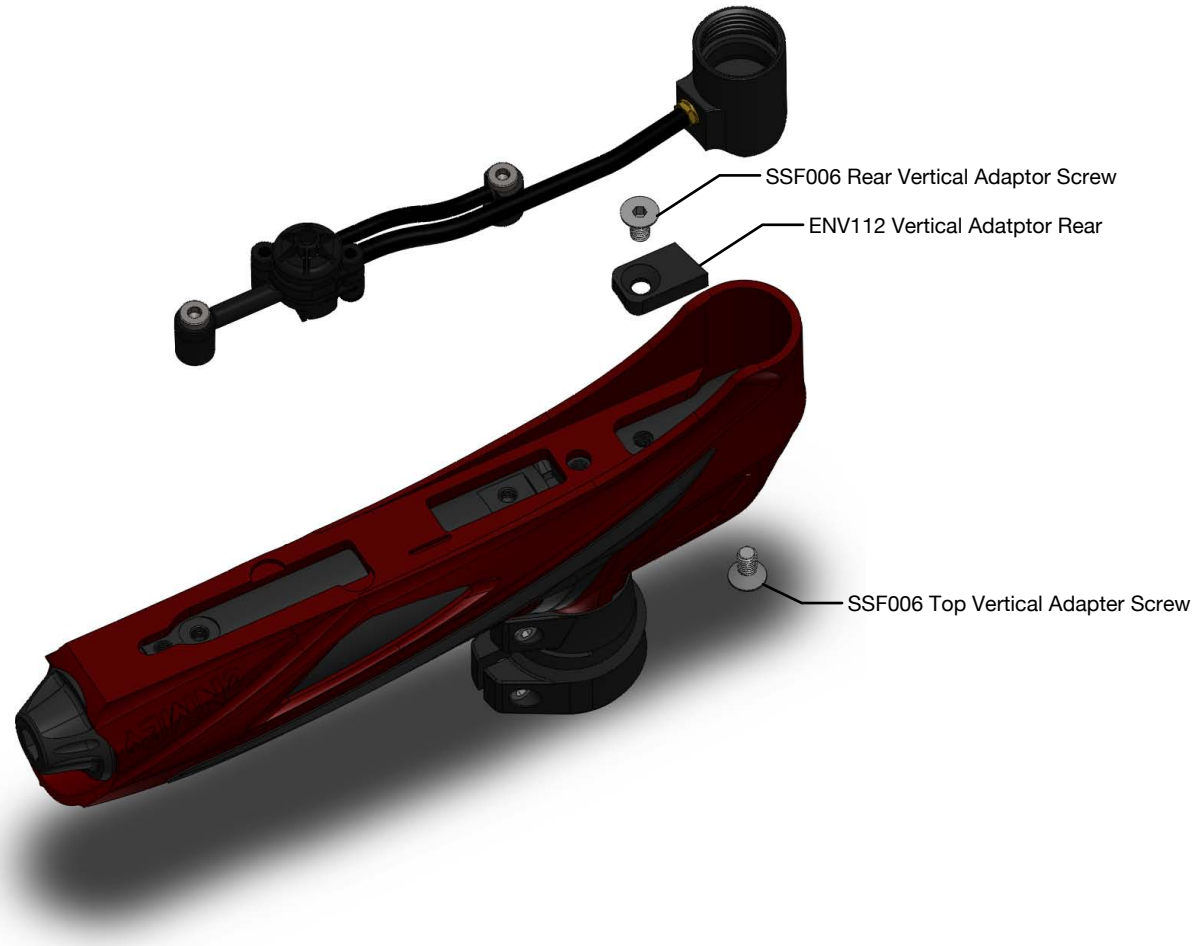
For operation instructions and safety information, see the eNMEy Owner's Manual.
© Copyright 2012, GOG Paintball SA. All right reserved. GOG, GR33SE, eNMEy and the
eNMEy and GOG logos are trademarks of GOG Paintball SA. GOGPaintball.com

NOTE: Pneumatics hoses are single-use parts. Once removed from a barbed fitting, they will have been stretched to the point that they can no longer provide a reliable seal.



eNMEy™ PARTS
GUIDE Rev 1.0

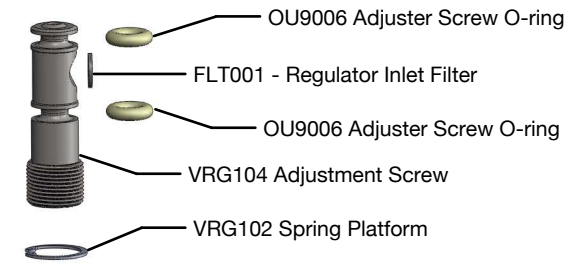
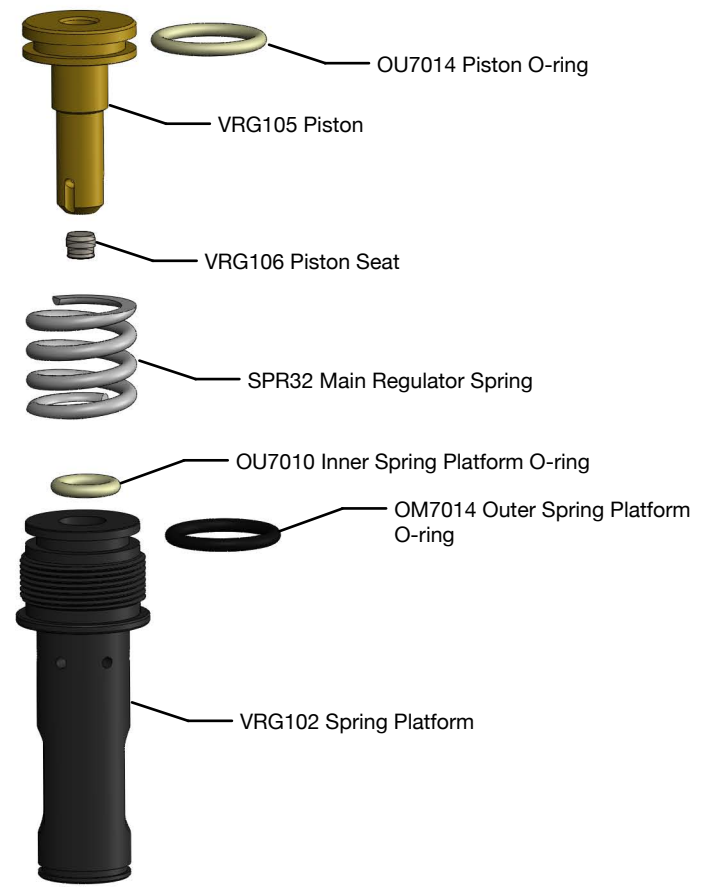
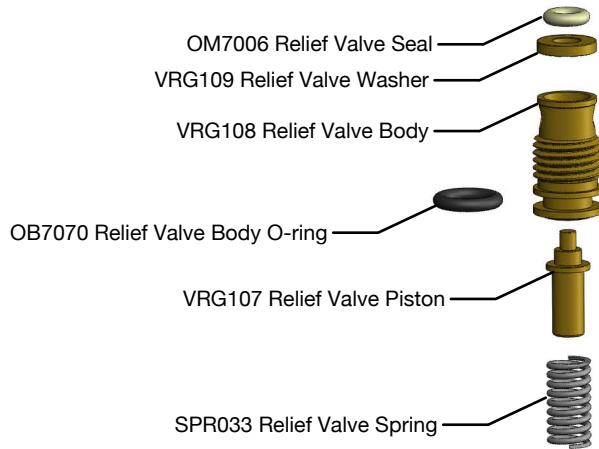
For operation instructions and safety information, see the eNMEy Owner's Manual.
© Copyright 2012, GOG Paintball SA. All right reserved. GOG, GR33SE, eNMEy and the eNMEy and GOG logos are trademarks of GOG Paintball SA. GOGPaintball.com



eNMEy™ PARTS
GUIDE Rev 1.0

For operation instructions and safety information, see the eNMEy Owner's Manual.
© Copyright 2012, GOG Paintball SA. All right reserved. GOG, GR33SE, eNMEy and the
eNMEy and GOG logos are trademarks of GOG Paintball SA. GOGPaintball.com

Vertical Regulator

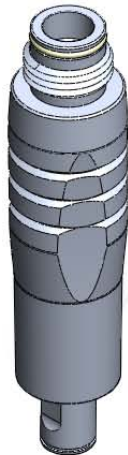


eNMEy™ PARTS
GUIDE Rev 1.0

For operation instructions and safety information, see the eNMEy Owner's Manual.
© Copyright 2012, GOG Paintball SA. All right reserved. GOG, GR33SE, eNMEy and the eNMEy and GOG logos are trademarks of GOG Paintball SA. GOGPaintball.com



FLT001 Filter Screen

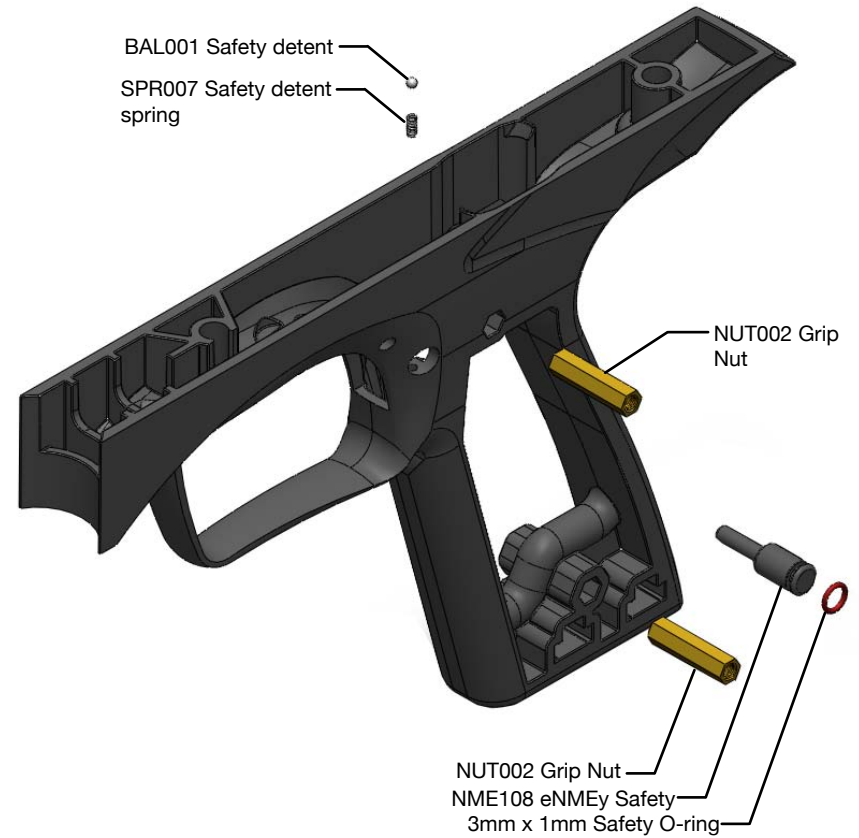
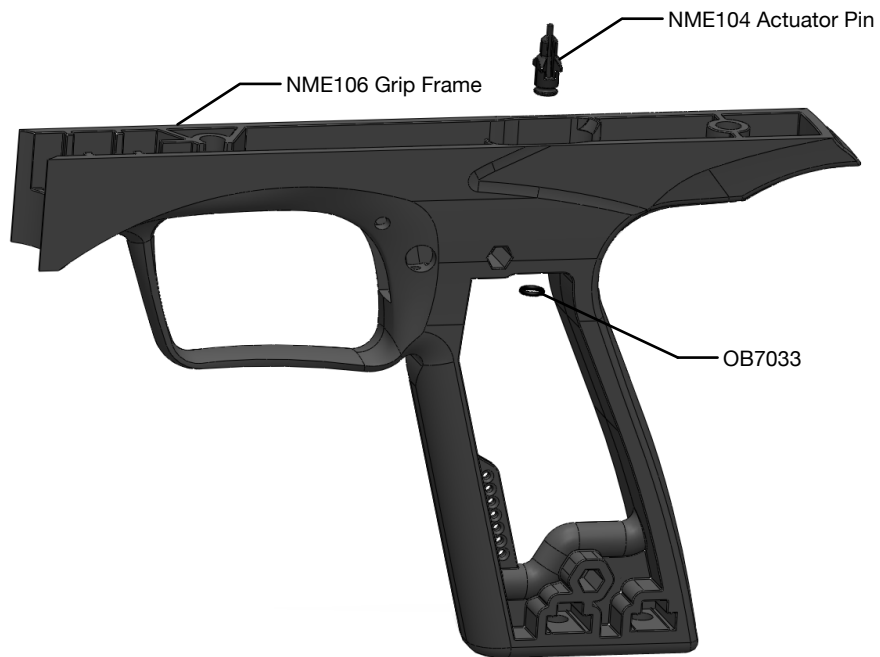


Vertical Regulator



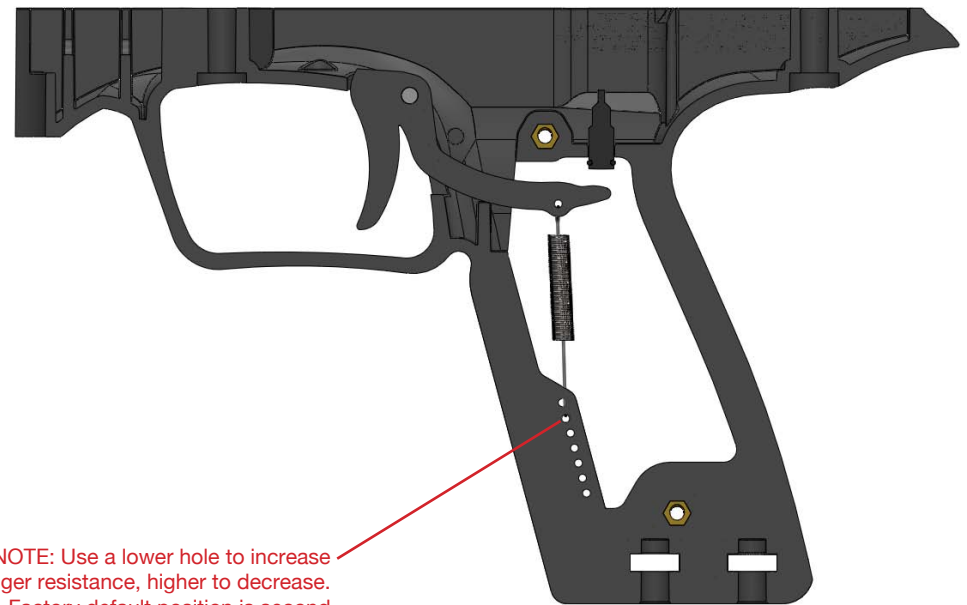
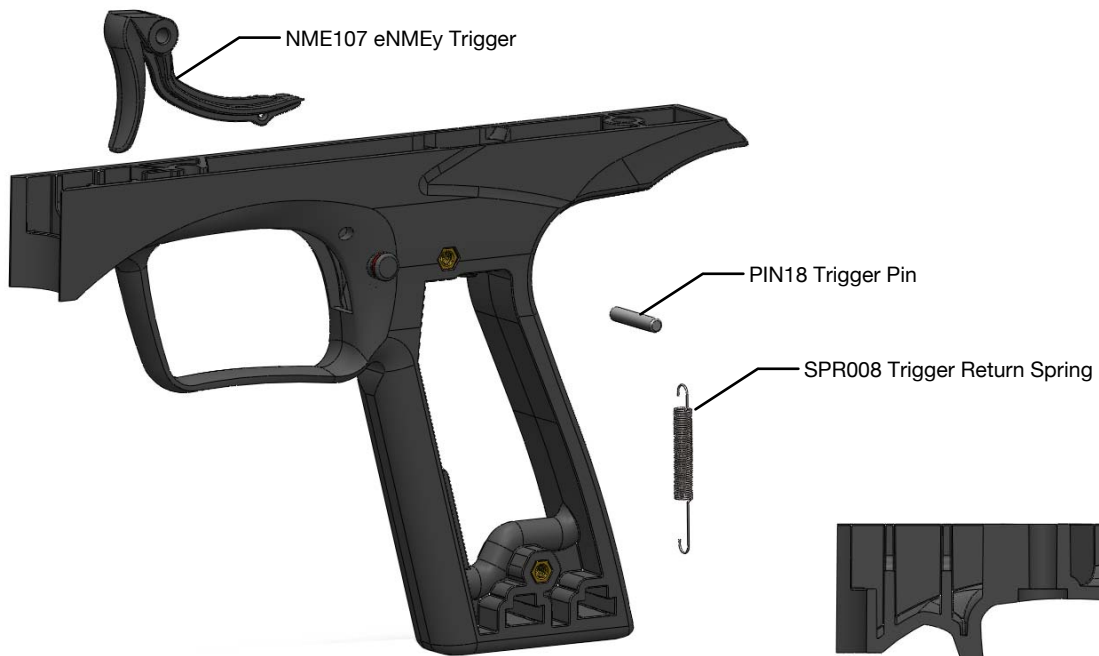
eNMEy™ PARTS
GUIDE Rev 1.0

For operation instructions and safety information, see the eNMEy Owner's Manual.
© Copyright 2012, GOG Paintball SA. All right reserved. GOG, GR33SE, eNMEy and the
eNMEy and GOG logos are trademarks of GOG Paintball SA. GOGPaintball.com



eNMEy™ PARTS
GUIDE Rev 1.0

For operation instructions and safety information, see the eNMEy Owner's Manual.
© Copyright 2012, GOG Paintball SA. All right reserved. GOG, GR33SE, eNMEy and the eNMEy and GOG logos are trademarks of GOG Paintball SA. GOGPaintball.com

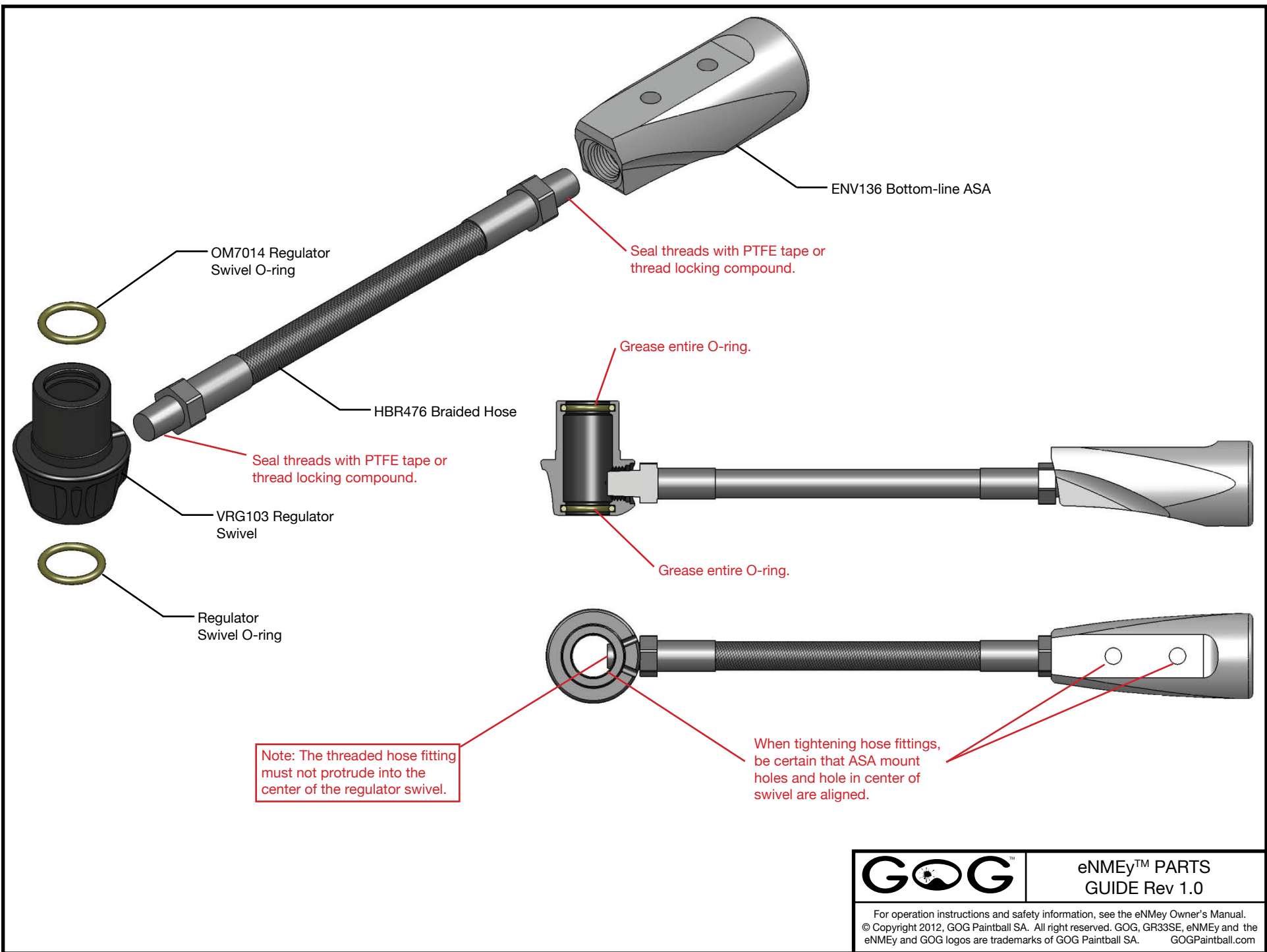


NOTE: Use a lower hole to increase trigger resistance, higher to decrease. Factory default position is second from the top for a light, yet reliable trigger pull.



eNMEy™ PARTS
GUIDE Rev 1.0

For operation instructions and safety information, see the eNMEy Owner's Manual.
© Copyright 2012, GOG Paintball SA. All right reserved. GOG, GR33SE, eNMEy and the eNMEy and GOG logos are trademarks of GOG Paintball SA. GOGPaintball.com



ENV136 Bottom-line ASA

Seal threads with PTFE tape or thread locking compound.

OM7014 Regulator Swivel O-ring

Grease entire O-ring.

HBR476 Braided Hose

Seal threads with PTFE tape or thread locking compound.

VRG103 Regulator Swivel

Grease entire O-ring.

Regulator Swivel O-ring

Note: The threaded hose fitting must not protrude into the center of the regulator swivel.

When tightening hose fittings, be certain that ASA mount holes and hole in center of swivel are aligned.



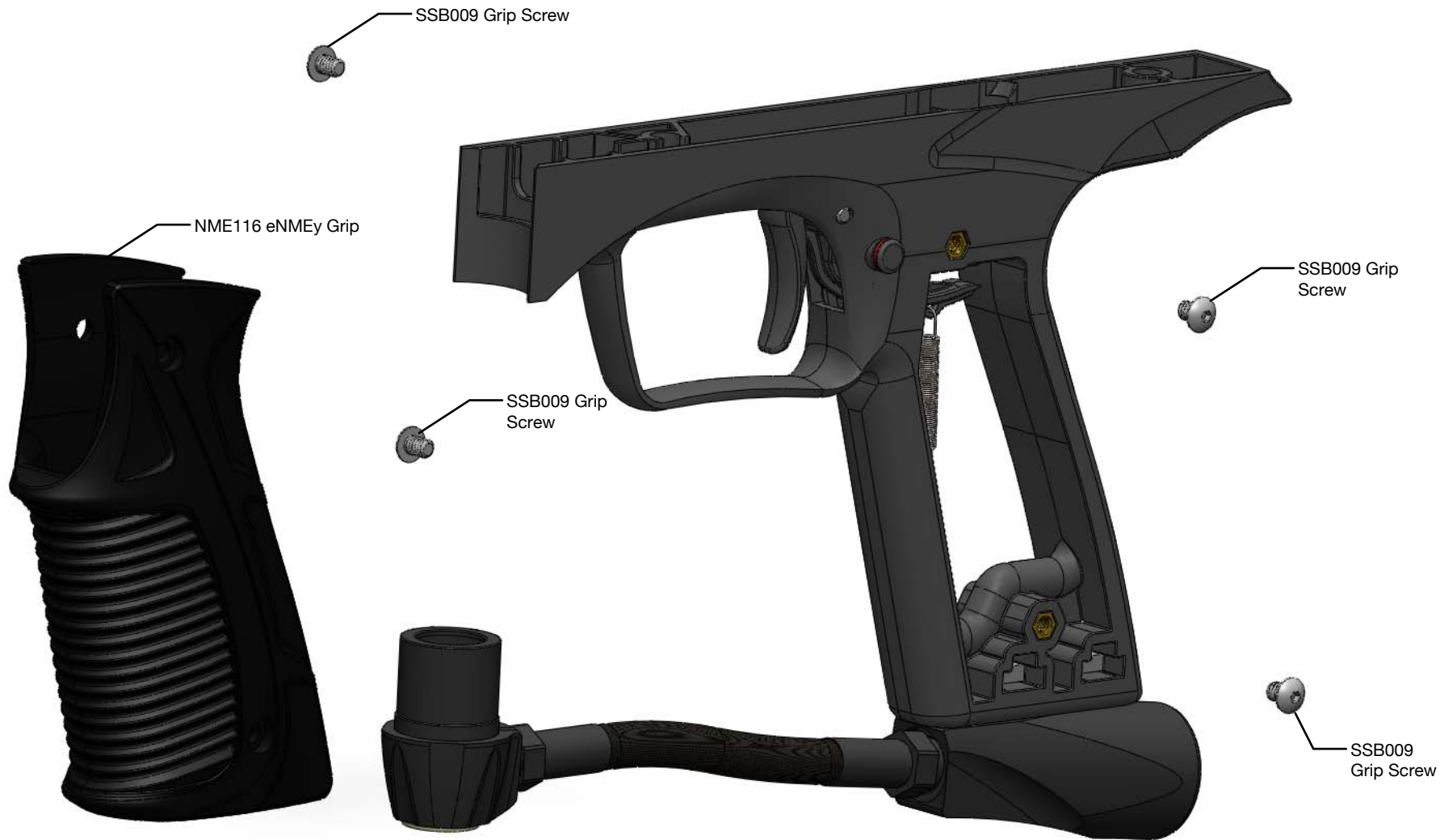
eNMEy™ PARTS
GUIDE Rev 1.0

For operation instructions and safety information, see the eNMEy Owner's Manual.
© Copyright 2012, GOG Paintball SA. All right reserved. GOG, GR33SE, eNMEy and the eNMEy and GOG logos are trademarks of GOG Paintball SA. GOGPaintball.com



eNMEy™ PARTS
GUIDE Rev 1.0

For operation instructions and safety information, see the eNMEy Owner's Manual.
© Copyright 2012, GOG Paintball SA. All right reserved. GOG, GR33SE, eNMEy and the
eNMEy and GOG logos are trademarks of GOG Paintball SA. GOGPaintball.com



eNMEy™ PARTS
GUIDE Rev 1.0

For operation instructions and safety information, see the eNMEy Owner's Manual.
© Copyright 2012, GOG Paintball SA. All right reserved. GOG, GR33SE, eNMEy and the
eNMEy and GOG logos are trademarks of GOG Paintball SA. GOGPaintball.com



eNMEy™ PARTS
GUIDE Rev 1.0

For operation instructions and safety information, see the eNMEy Owner's Manual.
© Copyright 2012, GOG Paintball SA. All right reserved. GOG, GR33SE, eNMEy and the
eNMEy and GOG logos are trademarks of GOG Paintball SA. GOGPaintball.com



eNMEy™ PARTS
GUIDE Rev 1.0

For operation instructions and safety information, see the eNMEy Owner's Manual.
© Copyright 2012, GOG Paintball SA. All right reserved. GOG, GR33SE, eNMEy and the
eNMEy and GOG logos are trademarks of GOG Paintball SA. GOGPaintball.com